

DT112 FC Digital Temperature Probe



Temperature measurements

Correct temperature inside incubators or on warming plates is crucial for the survival of living cells. The flat temperature probe can be inserted into any type of incubator, without disturbing conditions. The copper bottom ensures good thermal contact to any type of warmed surface and including non-metal surfaces.

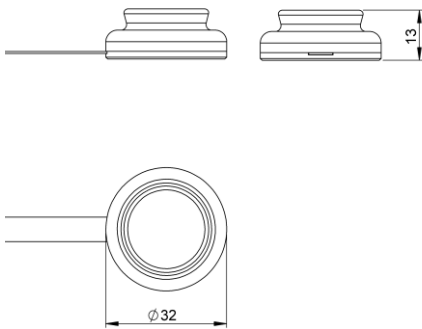
Functions and Technology

This new surface-temperature probe is ideal for controlling and calibration incubators and warming surfaces. The bottom is made from copper to give optimal thermal contact.

The probe can be placed on incubator shelf or bottom. Or it can be placed inside dishware. The insulated top minimize disturbance, when used for warming plates or inside flow cabinets.

Sensors	Digital Temperature sensor
Compatible instruments	NiloChecker
Communication	Serial Digital
Data in probe	Calibration offset Calibration day and interval Probe identification Sensor data Sensor range Sensor accuracy
Calibration	Independent from any NiloChecker

Dimensions



Specifications

Measure range:	0 – 50°C
Accuracy:	0,03°C
Display Resolution:	0,01
Display updates:	1 per second
Compliance:	ISO/EN61010-1 RoHS Medical grade sensor ISO 80601-2-56 and ASTM E1112
Operating Conditions:	0-50 °C 5-95% RH IP 50

Cable length:	1,7 m hereof 0,5 m flat cable
Materials:	Housing: ABS, Copper Cable: TPE (Flat part) PVC (Round part)

Ordering Information

DT 112 FC Digital Temperature Probe
Part no: 112s001