



DG 126

Digital CO₂/O₂ probe with pump

DG126 Digital Carbon dioxide (CO₂) and Oxygen (O₂) probe with pump is revolutionary in design and performance. Due to the small design and wide connection possibilities, the probe is equally useful for controlling box-type and desktop incubators.

Functions & Technology

Dual measurements

Connect the flexible tubing to a sample port or use the sample needle to sample from narrow openings. Start the pump from the NiloChecker device, and it measures CO₂ and O₂ simultaneously.

Flexible design

The probe can be placed near- or on- the target device to minimize tubing length. Short tubing minimizes measurement time and usage of gas.

Ease of use

Connect up to 5 DG126 probes simultaneously. With the NiloChecker in your hand, you can start/stop measurements, monitor progress and store readings for later analysis.

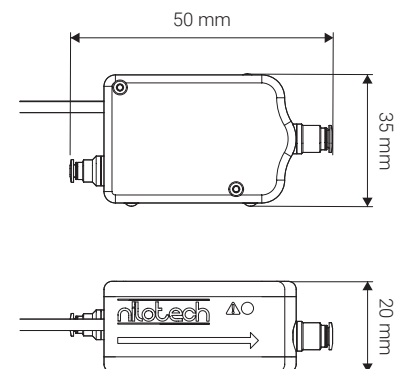
Output data

CO₂ and O₂ in %. The NiloChecker calculates and maps data including min., average, and max. values from several measurement sessions. See NiloChecker product sheet for more information about exporting measurement data.



Specifications

Sensors	NDIR (CO ₂), Electro-chemical (O ₂)
Measure range	0-30% O ₂ / 0-12% CO ₂
Accuracy	0,2% O ₂ , 0,1% CO ₂ +/- 3% of reading
T90	<20 sec. (O ₂), < 15sec (CO ₂)
Compensation for ambient conditions	Temperature (20-40°C), altitude (700-1100 mbar)
Pump flow	100-150 ml/min
Display resolution and update	0,1% ,1 update per sec.
Cable lenght	2 m
Tube fitting	Luer-lock as standard. Other 1/8" fittings optional.
Compliances	CE with NiloChecker 500. RoHs.
Calibration	Delivered with factory calibration certificate.. Can be calibrated in accordance with ISO/IEC 17025. 0-50°C, Calibration requires adaptor. Part no: 115s001.
Operating conditions	5-95% RH (Non condensing)



Ordering info

Part no: 126s001 - DG126 Digital CO₂/O₂ probe with pump. Delivered with factory calibration certificate.
Part no: 800s004 - Calibration of Nilotech gasprobe incl. factory and gas certificates

Nilotech Aps.

Knudstrupvej 14 - DK-4270 Hoeng, Denmark
+45 30 32 32 96 - contact@nitotech.eu - www.nilotech.eu