



DT122

Dual digital temperature probe

Correct temperature inside incubators or on heating plates is crucial for the survival of living cells.

DT122 Dual Digital Temperature Probe is ideal for controlling and calibrating desktop incubators, box-type incubators and heated surfaces.

Functions & Technology

Dual temperature probe

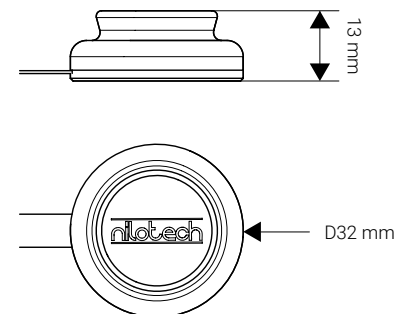
DT122 has 2 separate temperature sensors in one probe. With NiloChecker 500, you can measure and calibrate up to 10 positions or chambers simultaneously.

The unique sensor design has a copper bottom and insulating top, which ensures optimal thermal contact. All our sensors comes factory calibrated and can be delivered with a 3rd party certificate of accredited calibration.



Specifications

Sensor type	2 x Digital temperature sensors
Measure range & accuracy	-20-50°C / 0,03°C accuracy possible.
Display resolution and update	0,01 °C, 1 update per second
T90 (min:sec)	1:45
Compliance	ISO/EN61010-1 - RoHS
	Medical grade sensor - ISO 80601-2-56
Operating conditions	0-50°C / 5-95% RH
Cable lenght	1,7m (including 0,5m flat cable)
Materials	Housing: ABS, Copper.
	Cable: TPE (Flat part), PVC (Round part)
IP Class	IP50
Calibration	Delivered with factory calibration certificate. Accuracy +/- 0,1°C Can be calibrated in accordance with ISO/IEC 17025. Calibration requires adaptor. Part no: 115s001.



Ordering info

Part no: 122s001 - DT122 Dual Digital Temperature Probe
(Delivered with factory calibration certificate).
Part no: 800s003 - Accredited calibration of 2 temperature sensors.

Nilotech Aps.

Knudstrupvej 14 - DK-4270 Hoeng, Denmark
+45 30 32 32 96 - contact@nilotech.eu - www.nilotech.eu