



NiloChecker 500

One Reference instrument many applications

The New all-in-one instrument made by Lab equipment specialists. NiloChecker guides you through control and calibration of critical equipment in your laboratory. No need for multiple instruments from various manufacturers. With the NiloChecker you can control and calibrate Incubators, IVF workstations, warming system etc. An increasing range of measurement probes ensures your investment in years to come.

Functions & Technology

Time saving

Save precious time on process and quality control. Perform up to 10 simultaneous measurements. For instance, check your incubator for CO₂, O₂, and Temperature at the same time.

Easy as 1-2-3

A large touch screen with intuitive software guides you through the measurement. It helps you to perform measurements in accordance with international standards and manufacturers recommendations.

Integrated documentation

The Add-to-table function helps you processing and organizing data from many measurements.

Long battery life

Just bring the NiloChecker around. The high capacity battery ensures hours of measurement time between charging.

No need for calibration

The instrument is fully digital and will never need calibration. The instrument stays in the lab and measurement probes can be controlled and calibrated separately.

Compatible sensors

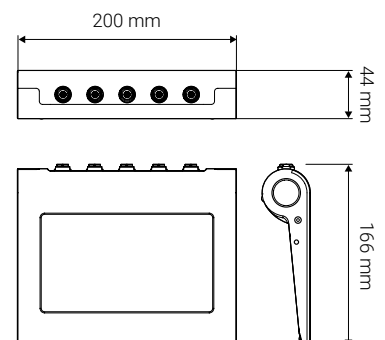
Compatible with CO₂, O₂, temperature, and air velocity sensors. simultaneous measurements up to 10 sensors on 5 ports.

Integrated functions

Graph function: Important tool to track any measurement. Instant measuring: Instrument starts to measure once a probe is connected. Timer function: Start/Stop allows to measure in a predefined time. Calculations: Max, Min, Average, Moving average, Deviation from average. Easy to collect data from multiple sensors.

Specifications

Measure range and accuracy	Depends on connected probe
Display and Touch	7" - 800 x 480 pixel - Capacitive touch - Adjustable brightness
Data storage and export	Internal memory. - Export data to PC via USB
Compliance	ISO/EN 61010:2010 - IEC 60950-1:2005/ - AMD2:2013 - CE
Operating conditions	0-50°C - 5-95% RH, IP 50
Power supply	12V / 30W - Wall plug adaptor - 100-240V
Connectors	5 Pcs - Stainless steel with lock and quick release
Battery time	8 Hours - Level displayed in %
Charging Time	< 3 hours



Ordering info Part no: 111s001 - NiloChecker 500

Nilotech Aps.

Knudstrupvej 14 - DK-4270 Hoeng, Denmark
+45 30 32 32 96 - contact@nitotech.eu - www.nilotech.eu

Document
111d001