

nilotech



Nilotech Product Range

Quality control instrumentation
for specialized laboratories.

Version: 10/2024



Save Precious Time on Quality and Process Control



"When I use my NiloChecker, it is easy and fast to control gas and temperature in incubators. I simultaneously measure both parameters and quickly move to another incubator; the unit even saves all measurements. I always bring the NiloChecker into our various laboratories - it's easy to carry around and super accurate.

A true all-in-one device."

Kirsten Simonsen, MSc

Laboratory manager, senior embryologist
Maigaard Fertilitetsklinik

Innovative, Exceptional and Dependable



"I am extremely satisfied with my NiloChecker tablet and sensor collection. In my experience, Nilotech is a passionate and engaged company that is committed to quality and their customers, and their Nilochecker product line clearly reflects this.

Despite being a high-performance tool, the Nilochecker is approachable, straightforward, and easy to use. It is robust and well-adapted to its lab application, and key design features help facilitate and ensure correct and accurate use. In cases where shortcomings have come up in specific end-use scenarios, Nilotech has welcomed the end-user feedback and worked to address them. They are continually refining and improving their designs and also coming up with new offerings. I am always excited to see these new items and put them to use in the field.

My own NiloChecker kit goes with me everywhere. Its accuracy, reliability, and utility are unparalleled and make it indispensable. Whether it's in my carry-on for the plane or in my pack for a local service visit, it's always in my bag and ready for use. Having used my Nilochecker extensively in the past few years, I can't imagine working without it now. It is an excellent tool that I depend on and use with confidence. Thank you, Nilotech!"

Tim Carter, PhD

Scientific and technical director
Fertitech Canada



NiloChecker 500

One reference instrument - many applications

The new all-in-one instrument made by lab equipment specialists. NiloChecker guides you through control and calibration of critical equipment in your laboratory. No need for multiple instruments from various manufacturers. With the NiloChecker you can control and calibrate Incubators, IVF workstations, warming system etc. An increasing range of measurement probes ensures your investment in years to come.

Functions & Technology

Time saving

Save precious time on process and quality control. Perform up to 10 simultaneous measurements. For instance, check your incubator for CO₂, O₂, and Temperature at the same time.

Easy as 1-2-3

A large touch screen with intuitive software guides you through the measurement. It helps you to perform measurements in accordance with international standards and manufacturers recommendations.

Integrated documentation

The Add-to-table function helps you processing and organizing data from many measurements.

Long battery life

Just bring the NiloChecker around. The high capacity battery ensures hours of measurement time between charging.

No need for calibration

The instrument is fully digital and will never need calibration. The instrument stays in the lab and measurement probes can be controlled and calibrated separately.

Compatible sensors

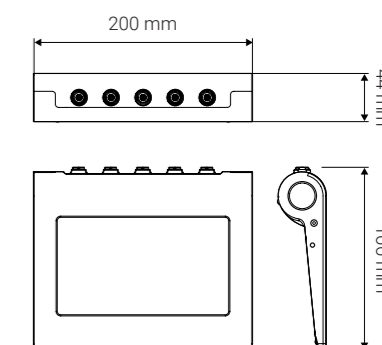
Compatible with CO₂, O₂, temperature, and air velocity sensors. simultaneous measurements up to 10 sensors on 5 ports.

Integrated functions

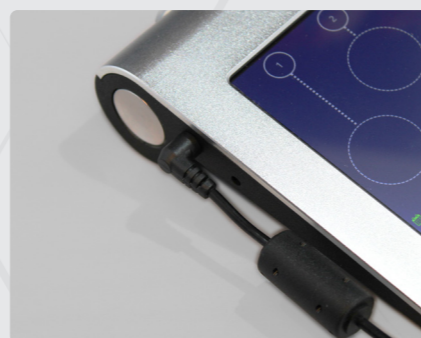
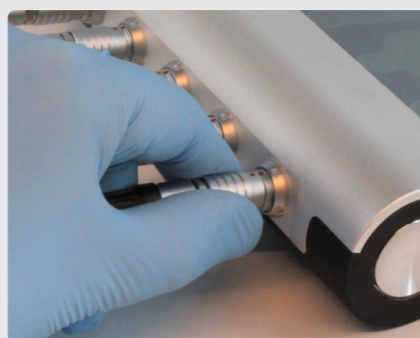
Graph function: Important tool to track any measurement. Instant measuring: Instrument starts to measure once a probe is connected. Timer function: Start/Stop allows to measure in a predefined time. Calculations: Max, Min, Average, Moving average, Deviation from average. Easy to collect data from multiple sensors.

Specifications

Measure range and accuracy	Depends on connected probe
Display and Touch	7" - 800 x 480 pixel - Capacitive touch - Adjustable brightness
Data storage and export	Internal memory. - Export data to PC via USB
Compliance	ISO/EN 61010:2010 - IEC 60950-1:2005/ - AMD2:2013 - CE
Operating conditions	0-50°C - 5-95% RH, IP 50
Power supply	12V / 30W - Wall plug adaptor - 100-240V
Connectors	5 Pcs - Stainless steel with lock and quick release
Battery time	8 Hours - Level displayed in %
Charging Time	< 3 hours



Ordering info Part no: 111s001 - NiloChecker 500



Probe Compatibility Table



The below table show the compatibility of NiloChecker probes with specific equipment brands and models. Nilotech has performed extensive validation of our solution together with equipment manufactures and/or end users. Correct use of equipment is imperative for correct results, and Nilotech encourages all users to contact us with questions and requests for training.

Target	Box-type Incubator	Cook Minc	ESCO MIRI / TL	K-Systems G185	K-Systems G210	Origio/Planer BT37	Vitrolife EmbryoScope/ EmbryoScope+	IVF workstation.	ICSI station	Warming Blocks/ Heaters
Nilotech probe										
 DT112 Page 11	Shelf temperature			Bottom temperature one chamber				Surface temperature heated table top		
 DT122 Page 12	Shelf Temperature 2 positions			Bottom Temperature two chambers				Surface temperature heated table top, 2 positions		
 DT123 Page 14	Temperature inside dish or test tube			Temperature inside dish in chamber				Temperature on heated stage or inside dish		Temperature in test tube
 DT121 Page 10		Top and bottom temperature in one chamber				Top and bottom temperature in one chamber				
 PT120 Page 14							Chamber temperature	Temperature on heated stage	Airstream temperature in RI Integra	
 DG112 Page 8	CO ₂ and O ₂ inside chamber		CO ₂ and O ₂ inside chamber							
 DG122 Page 9		CO ₂ and O ₂ output from filter	CO ₂ and O ₂ via chamber sample port		CO ₂ and O ₂ via external monitoring chamber	CO ₂ and O ₂ output from filter				
 DG126 Page 7	CO ₂ and O ₂ via chamber sample port		CO ₂ and O ₂ via chamber sample port	CO ₂ and O ₂ via sample port	CO ₂ and O ₂ via sample port in chamber lid		CO ₂ and O ₂ via sample port			
 DLV119 Page 15								Laminar airflow measurements and calculations		



DG126
Digital CO₂/O₂ probe with pump

The DG126 Digital CO₂/O₂ probe with pump represents a significant advancement in incubation monitoring technology. Its compact design and broad compatibility make it an ideal choice for managing both box-type and desktop incubators,

Functions & Technology

Dual measurements

Connect the flexible tubing to a sample port or use the sample needle to sample from narrow openings. Start the pump from the NiloChecker device, and it measures CO₂ and O₂ simultaneously.

Flexible design

The probe can be placed near- or on- the target device to minimize tubing length. Short tubing minimizes measurement time and usage of gas.

Ease of use

Connect up to 5 DG126 probes simultaneously. With the NiloChecker in your hand, you can start/stop measurements, monitor progress and store readings for later analysis.

Output data

CO₂ and O₂ in %. The NiloChecker calculates and maps data including min., average, and max. values from several measurement sessions. See NiloChecker product sheet for more information about exporting measurement data.



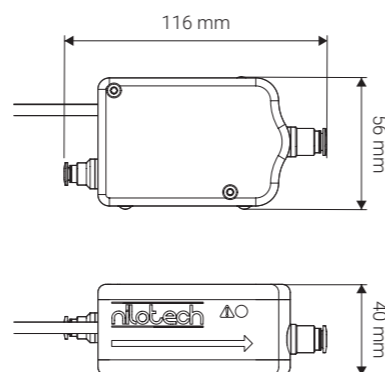
Specifications

Sensors	NDIR (CO ₂), Electro-chemical (O ₂)
Measure range	0-30% O ₂ / 0-12% CO ₂
Accuracy	0,2% O ₂ , 0,1% CO ₂ +/- 3% of reading
T90	<20 sec. (O ₂), < 15sec (CO ₂)
Compensation for ambient conditions	Temperature (20-40°C), altitude (700-1100 mbar)
Pump flow	100-150 ml/min
Display resolution and update	0,1%, one update per sec.
Cable length	2 m
Tube fitting	Luer-lock as standard. Other 1/8" fittings optional.
Compliances	CE with NiloChecker 500. RoHs.
Calibration	Delivered with factory calibration certificate.. Can be calibrated in accordance with ISO/IEC 17025. Calibration requires adaptor. Part no: 115s001.
Operating conditions	0-50°C, 5-95% RH (Non condensing)



Ordering info

Part no: 126s001 - DG126 Digital CO₂/O₂ probe with pump. Delivered with factory calibration certificate.
Part no: 800s004 - Calibration of Nilotech gasprobe incl. factory and gas certificates



Nilotech Aps.

Knudstrupvej 14 - DK-4270 Hoeng, Denmark
+45 30 32 32 96 - contact@nilotech.eu - www.nilotech.eu

Document
126d001_2



DG112
Digital CO₂/O₂ probe

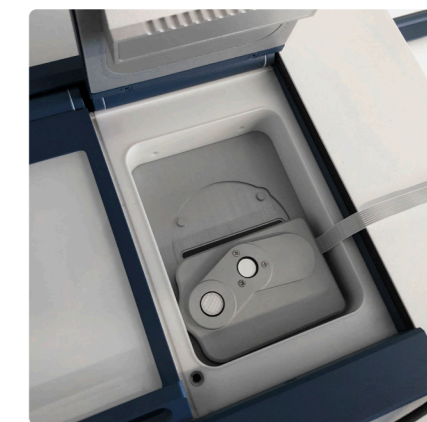
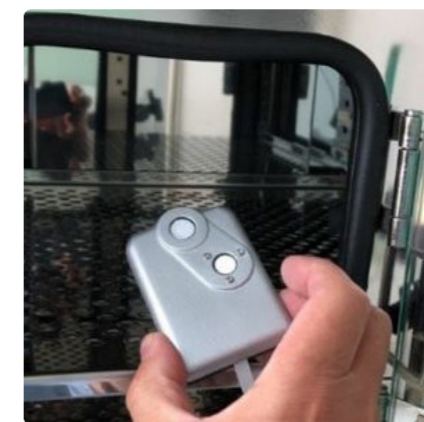
The challenge of measuring gas concentrations within incubators is indeed complex, particularly due to the potential for disturbance to the incubator's environment caused by gas aspiration. The precision of gas measurement is crucial in applications such as cell culture, where maintaining an environment that closely mimics in vivo conditions is essential for cell growth and reproduction.

Functions & Technology

CO₂/O₂ probe

The Digital Carbon Dioxide (CO₂) and Oxygen (O₂) probe represents a significant advancement in incubator control technology. Its innovative flat design make it an ideal choice for a variety of laboratory settings, including desktop incubators.

This probe enables continuous monitoring of CO₂ and O₂ levels, which is crucial for maintaining the optimal environment for cell cultures and other sensitive biological samples.



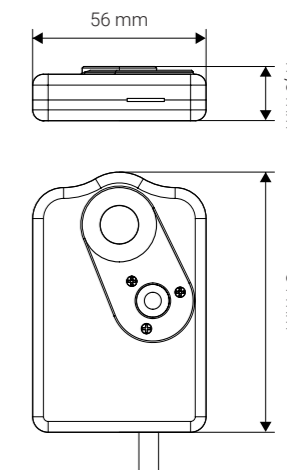
Specifications

Sensors	NDIR (CO ₂), Electro-chemical (O ₂)
Measure range	0-30% O ₂ / 0-12% CO ₂
Accuracy	0,2% O ₂ , 0,1% CO ₂ +/- 3% of reading
T90	<20 sec. (O ₂), < 15sec (CO ₂)
Compensation for ambient conditions	Temperature (20-40°C), altitude (700-1100 mbar)
Display resolution and update	0,1%, one update per sec.
Cable length	2 m
Compliances	CE with NiloChecker 500. RoHs.
Calibration	Delivered with factory calibration certificate.. Can be calibrated in accordance with ISO/IEC 17025. 0-50°C, Calibration requires adaptor. Part no: 115s001.
Operating conditions	5-95% RH (Non condensing)



Ordering info

Part no: 112s003 - DG112 VFC (Very flat cable for desktop incubators) Delivered with Factory calibration certificate.
Part no: 800s004 - Calibration of Nilotech gasprobe incl. factory and gas certificates



Nilotech Aps.

Knudstrupvej 14 - DK-4270 Hoeng, Denmark
+45 30 32 32 96 - contact@nilotech.eu - www.nilotech.eu

Document
112d002_2



DG122
Digital flow-through CO₂/O₂ probe

The DG122 Digital CO₂/O₂ probe is a state-of-the-art instrument designed for accurate gas analysis. Its cutting-edge technology allows for minimal flow resistance, which is essential for real-time monitoring in diverse applications.

Functions & Technology

Dual measurements

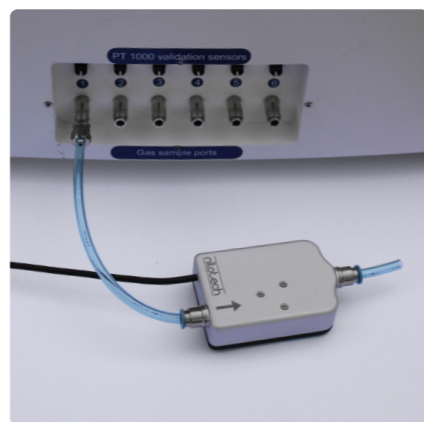
The DG122 is a sophisticated gas analyzer designed to measure CO₂ and O₂ levels simultaneously. To ensure accurate readings, it's essential to connect the DG122's input port to a gas sample port on the target device. If the target device has a return port, the DG122's output port should be connected there. For systems with high flow rates, flow restrictors can be utilized to minimize the sample flow, preventing potential measurement errors and ensuring the integrity of the gas analysis.

Ease of use

Connect up to 5 pcs DG122 probes simultaneously to each NiloChecker. You can start/stop measurements, monitor progress and store readings for later analysis.

Output data

CO₂ and O₂ in %. The NiloChecker calculates and maps data including min., average, and max. values from any measurement sessions. See NiloChecker specifications for more information.



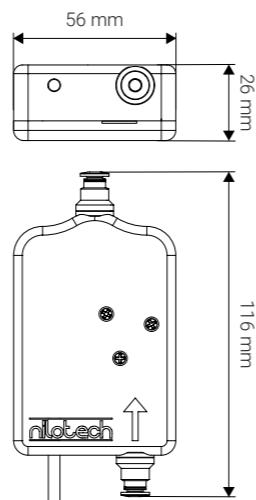
Specifications

Sensors	NDIR (CO ₂), Electro-chemical (O ₂)
Measure range	0-30% O ₂ / 0-12% CO ₂
Accuracy	0,2% O ₂ , 0,1% CO ₂ +/- 3% of reading
T90	<20 sec. (O ₂), < 15sec (CO ₂)
Compensation for ambient conditions	Temperature (20-40°C), altitude (700-1100 mbar)
Display resolution and update	0,1%, one update per sec.
Cable length	2 m
Tube fittings	6 mm push-in as standard. Other 1/8" fittings optional.
Compliances	CE with NiloChecker 500. RoHs.
Calibration	Delivered with factory calibration certificate.. Can be calibrated in accordance with ISO/IEC 17025. 0-50°C, Calibration requires adaptor. Part no: 115s001.
Operating conditions	0-40°C, 5-95% RH (Non condensing)



Ordering info

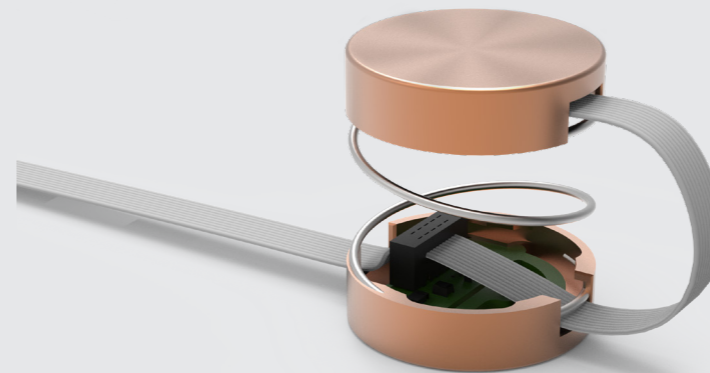
Part no: 122s002 - DG122 Digital flow-through CO₂/O₂ probe. Delivered with factory calibration certificate.
Part no: 122s002 - Calibration of Nilotech gas probe incl. factory and gas certificates.



Nilotech Aps.

Knudstrupvej 14 - DK-4270 Hoeng, Denmark
+45 30 32 32 96 - contact@nilotech.eu - www.nilotech.eu

Document
122d001_2



DT121
Up-Down digital temperature probe

The DT121 Up-Down Digital Temperature Probe represents a significant advancement in precise temperature control of cell culture incubators. Its innovative design with a copper top and bottom, connected by a spring, ensures optimal thermal contact with both the chamber floor and lid. This dual-measurement capability allows for simultaneous monitoring of two critical points with a single device, streamlining the process and ensuring the integrity of the cell environment.

Functions & Technology

Dual measurements

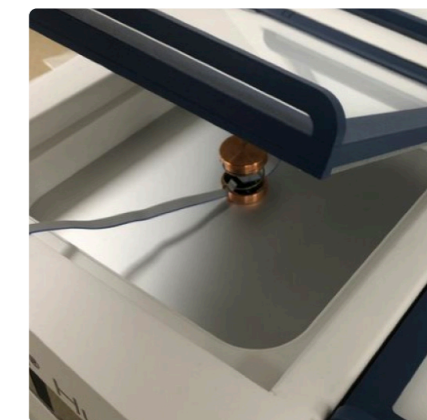
Our unique Up-Down probe is ideal for controlling and calibrating desktop incubators through its 2 digital temperature sensors.

Ease of use

We have made it possible for you to connect up to 5 probes in one NiloChecker. Controlling and calibrating desktop incubators has never been faster og easier.

Flexible design

The probe can be placed on a incubator chamber floor, while the spring ensures good contact between upper sensor and lid.



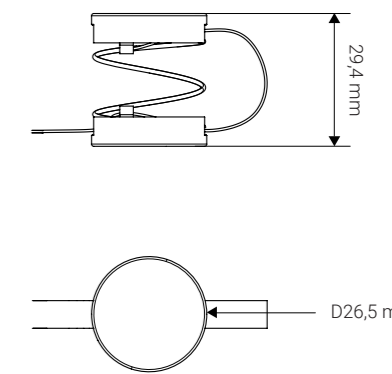
Specifications

Sensor type	2 x Digital temperature sensors
Measure range & accuracy	-25-50°C / 0,03°C accuracy possible.
Display resolution and update	0,01 °C, one update per second
T90 (min:sec)	1:45
Compliance	ISO/EN61010-1 - RoHS Medical grade sensor - ISO 80601-2-56
Operating conditions	0-50°C / 5-95% RH
Cable length	1,7m (including 0,5m flat cable)
Materials	Housing: Copper. Cable: TPE (Flat part), PVC (Round part)
IP Class	IP50
Calibration	Delivered with factory calibration certificate. Accuracy +/- 0,1°C Can be calibrated in accordance with ISO/IEC 17025. Calibration requires adaptor. Part no: 115s001.



Ordering info

Part no: 112s001 - DT121 Up-Down Digital Temperature Probe (Delivered with factory calibration certificate)
Part no: 800s003 - Accredited calibration of 2 Temperature sensors.



Nilotech Aps.

Knudstrupvej 14 - DK-4270 Hoeng, Denmark
+45 30 32 32 96 - contact@nilotech.eu - www.nilotech.eu

Document
121d001_2



DT112
Digital temperature probe

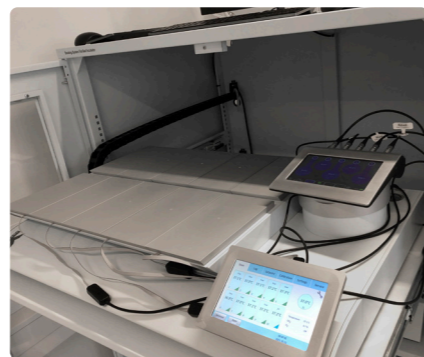
Maintaining the correct temperature within incubators is indeed vital for cell viability and development. Typically, incubators are set to 37°C to mimic the body's conditions and promote optimal cell growth. The use of a flat temperature probe is an excellent method to monitor these conditions accurately. The copper bottom of the probe is a thoughtful design feature, ensuring efficient thermal contact with various surfaces, which is essential for reliable temperature readings and, consequently, for the health of the cell cultures.

Functions & Technology

Temperature probe

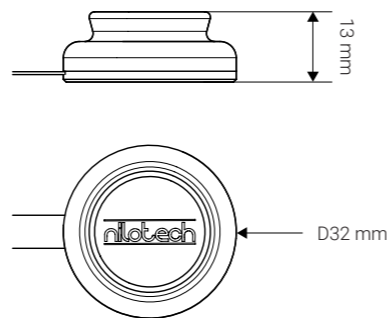
This new surface-temperature probe is ideal for controlling and calibration incubators and heating surfaces.

The design of these sensors, featuring a conductive copper base and an insulating top, ensures maximum thermal contact and accuracy. Moreover, the factory calibration of each sensor, along with the option for a third-party accredited calibration certificate, guarantees reliability



Specifications

Sensor type	Digital temperature sensor
Measure range & accuracy	-20-50°C / 0,03°C accuracy possible.
Display resolution and update	0,01 °C, one update per second
T90 (min:sec)	1:45
Compliance	ISO/EN61010-1 - RoHS
	Medical grade sensor - ISO 80601-2-56
Operating conditions	0-50°C / 5-95% RH
Cable length	1,7m (including 0,5m flat cable)
Materials	Housing: ABS, Copper.
	Cable: TPE (Flat part), PVC (Round part)
IP Class	IP50
Calibration	Delivered with factory calibration certificate. Accuracy +/- 0,1°C Can be calibrated in accordance with ISO/IEC 17025. Calibration requires adaptor. Part no: 115s001.



Ordering info

Part no: 112s001 - DT112 FC Digital Temperature Probe
Part no: 800s002 - Accredited calibration of 1 temperature sensor

Nilotech Aps.

Knudstrupvej 14 - DK-4270 Hoeng, Denmark
+45 30 32 32 96 - contact@nilotech.eu - www.nilotech.eu

Document
112d001_2



DT122
Dual digital temperature probe

Accurate temperature control is crucial in any position where living cells are handled. The standard temperature setting of 37°C reflects the human body's natural condition, providing an ideal environment for most cell types. Utilizing a flat temperature probe with a copper bottom enhances the accuracy of temperature measurements due to its superior thermal conductivity, which is vital for maintaining the integrity and health of the cell cultures. This attention to detail in equipment design significantly contributes to the success of IVF treatments and biological research.

Functions & Technology

Dual temperature probe

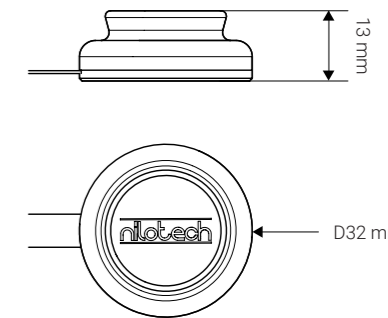
The DT122 is a versatile tool, equipped with dual temperature sensors within a single probe, enabling simultaneous measurements at two distinct locations.

NiloChecker 500 expands these capabilities, allowing for the measurement and calibration of up to ten different positions or chambers at once, and precision in various applications.



Specifications

Sensor type	2 x Digital temperature sensors
Measure range & accuracy	-20-50°C / 0,03°C accuracy possible.
Display resolution and update	0,01 °C, one update per second
T90 (min:sec)	1:45
Compliance	ISO/EN61010-1 - RoHS
	Medical grade sensor - ISO 80601-2-56
Operating conditions	0-50°C / 5-95% RH
Cable length	1,7m (including 0,5m flat cable)
Materials	Housing: ABS, Copper.
	Cable: TPE (Flat part), PVC (Round part)
IP Class	IP50
Calibration	Delivered with factory calibration certificate. Accuracy +/- 0,1°C Can be calibrated in accordance with ISO/IEC 17025. Calibration requires adaptor. Part no: 115s001.



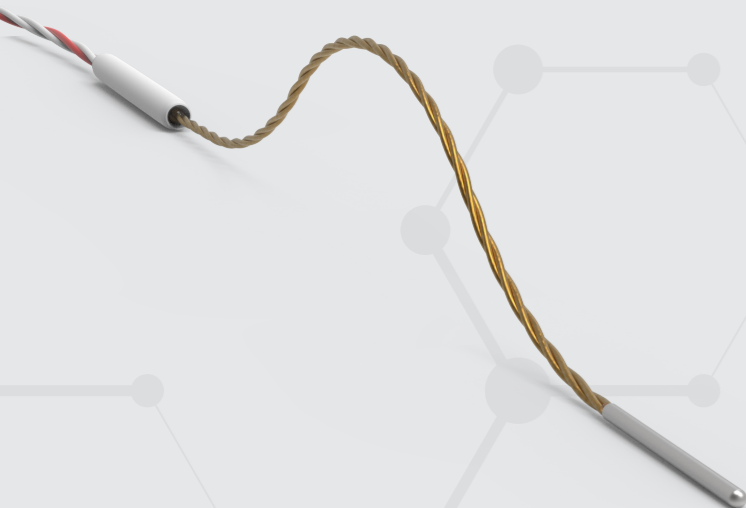
Ordering info

Part no: 122s001 - DT122 Dual Digital Temperature Probe (Delivered with factory calibration certificate).
Part no: 800s003 - Accredited calibration of 2 temperature sensors.

Nilotech Aps.

Knudstrupvej 14 - DK-4270 Hoeng, Denmark
+45 30 32 32 96 - contact@nilotech.eu - www.nilotech.eu

Document
122d001_2



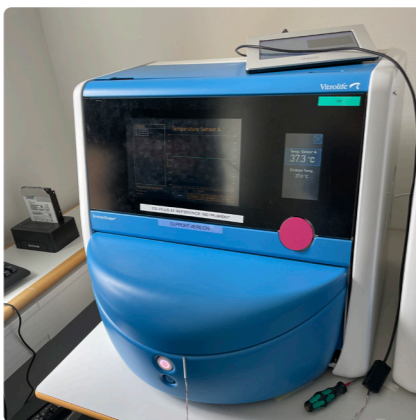
PT120
Platinum 1mm flexible temperature probe

The PT120 represents a significant advancement in temperature sensing technology. Its platinum construction ensures high accuracy and stability, making it ideal for precision measurement needs. The compact design allows for easy integration into a variety of systems without disturbance, and the quick response time enables real-time monitoring and control.

Functions & Technology

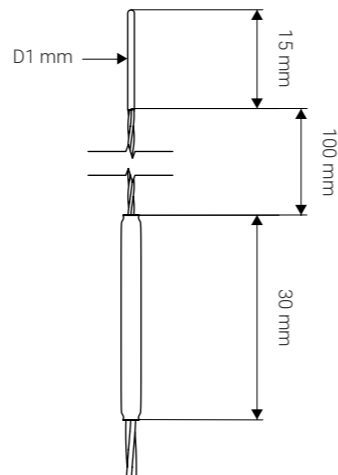
Ideal temperature probe for narrow openings down to 1 mm in diameter.
The industry standard PT-100 sensor is precise and stable over a wide temperature range.

PT120 is also particularly useful for controlling heated stages inside dishes and other sensitive heated devices. The probe can be placed on any surface, such as metal, glass, plastic etc.
The probe can also be useful to measure liquids provided that it is placed inside a water-tight pouch.



Specifications

Sensor type	Analog PT-100 temperature sensor (3 wire)
Measure range & accuracy	-50-50°C / 0,03°C accuracy possible.
Display resolution and update	0,01 °C, one update per second
T90 (min:sec)	0:25
Compliance	ISO/EN61010-1 - RoHS
Operating conditions	0-50°C / 5-95% RH
Cable length	1,7m (including 0,5m flat cable)
Materials	Flexible FR-4, Epoxy.
IP Class	IP50
Calibration	Delivered with factory calibration certificate. Accuracy +/- 0,1°C PT120 can be calibrated in accordance with ISO/IEC 17025. Calibration requires an adaptor. Part no: 115s001.



Ordering info

Part no: 120s002 - PT120 Platinum 1mm flexible temperature probe
Part no: 800s002 - Accredited calibration of 1 temperature sensor

Nilotech Aps.

Knudstrupvej 14 - DK-4270 Hoeng, Denmark
+45 30 32 32 96 - contact@nilotech.eu - www.nilotech.eu

Document
120d001_2



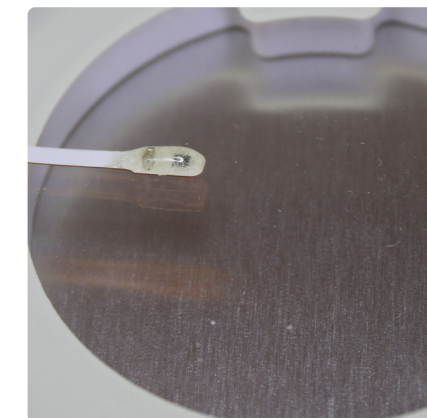
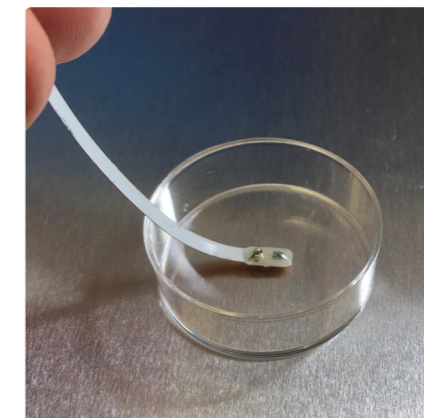
DT123
Digital dish-temperature probe

The DT123 Digital dish-temperature probe is a state-of-the-art instrument designed for precision and ease of use in laboratory settings. Its 200 mm flat flexible wire and small sensor allow for accurate temperature measurements in narrow spaces without significantly disturbing the environment. This sensor is particularly suited for applications where maintaining the correct temperature is vital for cell viability such as inside dishes.

Functions & Technology

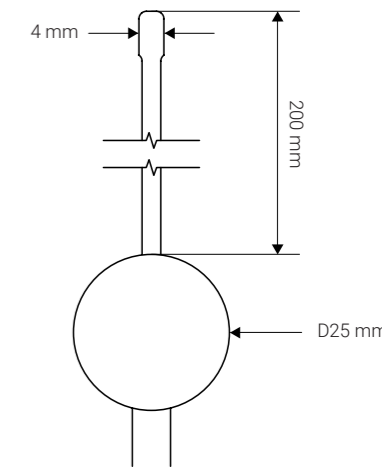
Dedicated temperature sensor for dishes and tubes.

DT123 is ideal for controlling and calibrating heated stages and other sensitive heating devices. The probe can be placed on any surface, such as metal, glass, plastic etc. We have made it possible to connect 5 different probes to one NiloChecker. Controlling and calibrating your lab equipment has never been faster or easier.



Specifications

Sensor type	Digital temperature sensor
Measure range & accuracy	-20-50°C / 0,03°C accuracy possible.
Display resolution and update	0,01 °C, one update per second
T90 (min:sec)	0:45
Compliance	ISO/EN61010-1 - RoHS Medical grade sensor - ISO 80601-2-56
Operating conditions	0-50°C / 5-95% RH
Cable length	1,7m (including 0,5m flat cable)
Materials	Flexible FR-4, Epoxy. Cable: TPE (Flat part), PVC (Round part)
IP Class	IP50
Calibration	Delivered with factory calibration certificate. Accuracy +/- 0,1°C Can be calibrated in accordance with ISO/IEC 17025. Calibration requires adaptor. Part no: 115s001.



Ordering info

Part no: 123s001 - DT123 Digital dish temperature Probe (Delivered with factory calibration certificate)
Part no: 800s002 - Accredited calibration of 1 temperature sensor.

Nilotech Aps.

Knudstrupvej 14 - DK-4270 Hoeng, Denmark
+45 30 32 32 96 - contact@nilotech.eu - www.nilotech.eu

Document
123d001_2

DLV119

Digital low velocity air flow probe

Correct laminar flow in IVF workstations is crucial to avoid contaminating cells and ensuring operator safety. The DLV119 can be used to control filters and flow according to manufacturer's recommendations and international standards such as EN 12469 in:

- Biological Safety Cabinets
- Chemical Fume Hoods
- Laminar Flow Hoods
- Clean Benches
- HEPA & Filter Boxes
- And other

DLV119 is a versatile and rugged, high-performance air velocity probe for low flow.

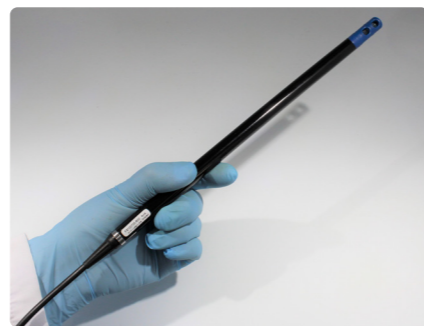


Functions & Technology

Functions and Technology

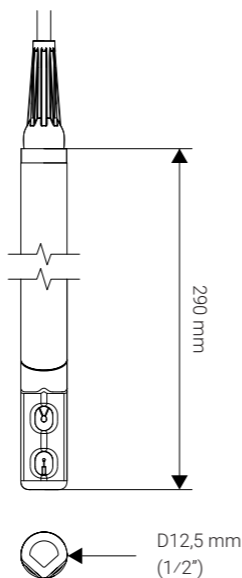
DLV119 is suitable for demanding applications, including those in corrosive or alkaline environments. With its robust, splash proof design, the DLV119 is designed to support a wide range of product and process control air flow applications.

Software in the NiloChecker supports calculation of airflow in accordance with international standards and easy reporting.



Specifications

Sensors	Hot wire anemometer. Temperature compensated.
Measure range	Flow: 0,15 – 1,5 m/s. Temperature: 0°C - 60°C
Accuracy	Flow: ± 1% of reading + 0,05 m/s. Temperature: +/- 1°C
Response time	400 ms
Compensation for ambient conditions	Temperature (0-60°C)
Display resolution and update	0,01 m/s, 0,01°C, one update per sec.
Cable length	2 m
Compliances	CE with NiloChecker 500. RoHs.
Calibration	Delivered with factory calibration certificate.. Can be calibrated in accordance with ISO/IEC 17025. Calibration requires adaptor. Part no: 115s001.
Operating conditions	5-95% RH (Non condensing)
Materials	Cable: PVC coated Housing: Polycarbonate (PC), UL94-V0 (head) UL94-HB (housing). Aluminium (Cable ring)



Ordering info

Part no: 119s001 - DLV119 Digital Air Velocity Probe (Delivered with factory calibration)

Nilotech Aps.

Knudstrupvej 14 - DK-4270 Hoeng, Denmark
+45 30 32 32 96 - contact@nitotech.eu - www.nilotech.eu

Document
119d001_2



NiloBlock

A new heating block concept for oocyte retrieval

A new insulated heating block which brings optimal temperature stability to test tubes. This newly developed concept allows visual inspection of tube content with minimal heat loss. NiloBlock can be used with standard heating surfaces and compatible block heaters.

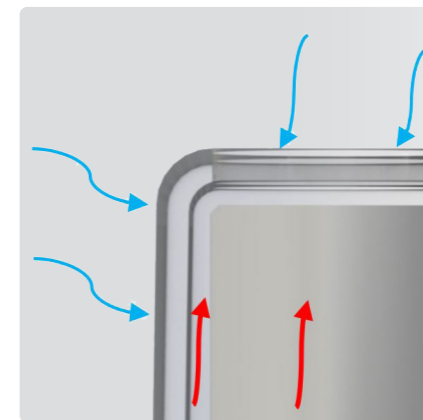
Functions & Technology

The important insulation

Block and Tubes are thermally insulated from the outside by a thin layer of air between block and cover. The insulation ensures a uniform temperature throughout the tubes.

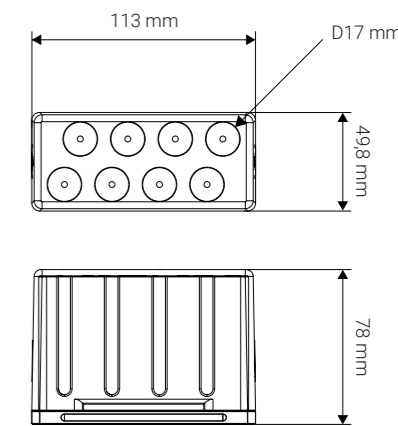
Smart cover

The transparent cover allows observation of the tube content, which is important during Oocyte retrieval. The cover easily snaps on and off for cleaning.



Specifications

Materials	Block: Anodized aluminum Cover: Polycarbonate
Weight	630 g
Contry of origin	Denmark
Cleaning	Block: Handwash and/or autoclave Cover: Handwash or machinewash (max 70°C)



Ordering info

Part no: 110S002 - NiloBlock

Nilotech Aps.

Knudstrupvej 14 - DK-4270 Hoeng, Denmark
+45 30 32 32 96 - contact@nitotech.eu - www.nilotech.eu

Document
110d001_2



Accessories

Accessories for our product range



Accessories

Accessories for our product range



Calibration adapter

Adaptor to check and adjust any NiloChecker probe.

Ordering info
Part no: 115s001



Water trap for DG126

Water trap with luer-lock fittings.

Ordering info
Part no: 126sp002



Calibration cap for DG112

Silicone cap for calibrating the DG112 - CO₂ /O₂ probe.

Ordering info
Part no: 112s002

UMONIUM38® NEUTRALIS TISSUES

NEUTRALIS TISSUES are broad-spectrum cleaning and disinfectant wipes. They can be used to disinfect your NiloChecker, NiloChecker probes and other non-invasive medical devices. This unperfumed and uncolored product has been developed for use in neonatal incubators, IVF laboratories and more. Delivered in container with 100 wipes 20x20 cm



Ordering info
Part no: 130s001



Extension cable

3 m. Extension cable for NiloChecker probes

Ordering info
Part no: 112s005



NiloCase

Mobile hard case for NiloChecker and sensors.

Ordering info
Part no: 111s020



Nilotech Aps.

Knudstrupvej 14 - DK-4270 Hoeng, Denmark
+45 30 32 32 96 - contact@nilotech.eu - www.nilotech.eu

Nilotech Aps.

Knudstrupvej 14 - DK-4270 Hoeng, Denmark
+45 30 32 32 96 - contact@nilotech.eu - www.nilotech.eu



nilotech

Nilotech Aps.

Knudstrupvej 14 - DK-4270 Hoeng, Denmark
+45 30 32 32 96 - contact@nilotech.eu - www.nilotech.eu