

DT123

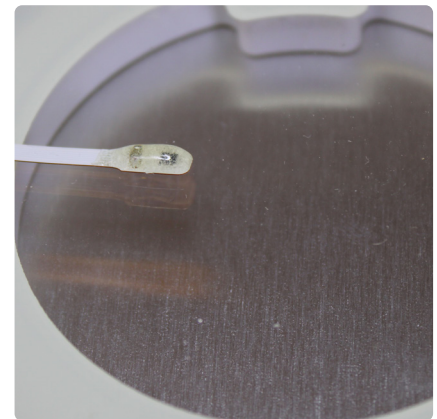
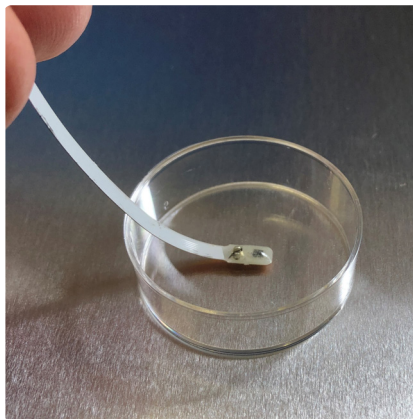
## Digital dish-temperature probe

The DT123 Digital dish-temperature probe is a state-of-the-art instrument designed for precision and ease of use in laboratory settings. Its 200 mm flat flexible wire and small sensor allow for accurate temperature measurements in narrow spaces without significantly disturbing the environment. This sensor is particularly suited for applications where maintaining the correct temperature is vital for cell viability such as inside dishes.

### Functions & Technology

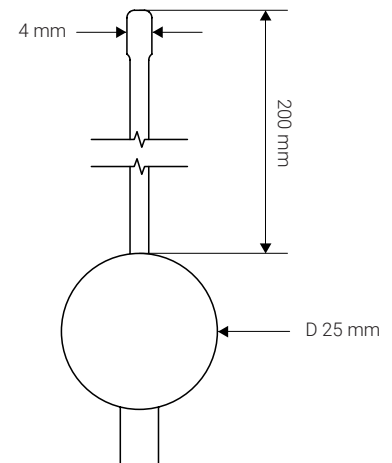
#### Dedicated temperature sensor for dishes and tubes.

DT123 is ideal for controlling and calibrating heated stages and other sensitive heating devices. The probe can be placed on any surface, such as metal, glass, plastic etc. We have made it possible to connect 5 different probes to one NiloChecker. Controlling and calibrating your lab equipment has never been faster or easier.



### Specifications

<b>Sensor type</b>	Digital temperature sensor
<b>Measure range &amp; accuracy</b>	-20 - 50 °C/0,03 °C accuracy possible.
<b>Display resolution and update</b>	0,01 °C, one update per second
<b>T90 (min:sec)</b>	0:45
<b>Compliance</b>	ISO/EN61010-1 - RoHS Medical grade sensor - ISO 80601-2-56
<b>Operating conditions</b>	0 - 50 °C/5 - 95% RH
<b>Cable length</b>	1,7 m (including 0,5m flat cable)
<b>Materials</b>	Flexible FR-4, Epoxy. Cable: TPE (Flat part), PVC (Round part)
<b>IP Class</b>	IP50
<b>Calibration</b>	Delivered with factory calibration certificate. Accuracy $\pm 0,1$ °C Can be calibrated in accordance with ISO/IEC 17025. Calibration requires adaptor. Part no: 115s001.



#### Ordering info

**Part no: 123s001** - DT123 Digital dish temperature Probe  
(Delivered with factory calibration certificate)  
**Part no: 800s002** - Accredited calibration of 1 temperature sensor.