



DT112

Digital Temperature Probe

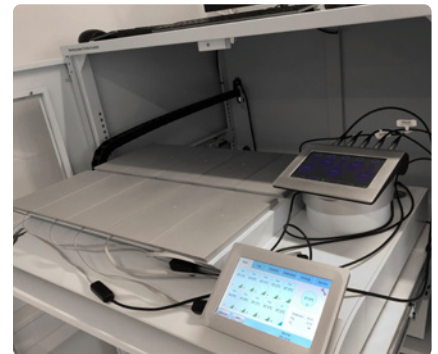
Maintaining the correct temperature within incubators is indeed vital for cell viability and development. Typically, incubators are set to 37 °C to mimic the body's conditions and promote optimal cell growth. The use of a flat temperature probe is an excellent method to monitor these conditions accurately. The copper bottom of the probe is a thoughtful design feature, ensuring efficient thermal contact with various surfaces, which is essential for reliable temperature readings and, consequently, for the health of the cell cultures.

Functions & Technology

Temperature probe

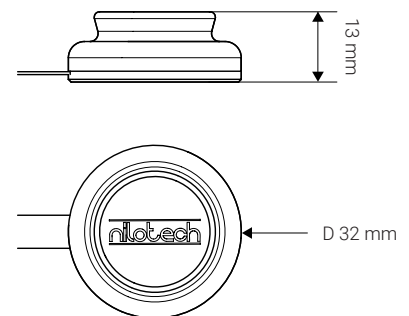
This unique surface-temperature probe is ideal for controlling and calibration incubators and heating surfaces.

The design of these sensors, featuring a conductive copper base and an insulating top, ensures maximum thermal contact and accuracy. Moreover, the factory calibration of each sensor, along with the option for a third-party accredited calibration certificate, guarantees reliability.



Specifications

Sensor type	Digital temperature sensor
Measure range & accuracy	-20 - 50 °C/0,03 °C accuracy possible
Display resolution and update	0,01 °C, one update per second
T90 (min:sec)	1:45
Compliance	ISO/EN61010-1 • RoHS • CE with NiloChecker 500
	Medical grade sensor - ISO 80601-2-56
Operating conditions	0 - 50 °C/5 - 95% RH
Cable length	1,7 m (including 0,5 m flat cable)
Materials	Housing: ABS, Copper.
	Cable: TPE (Flat part), PVC (Round part)
IP Class	IP50
Calibration	Delivered with factory calibration certificate. Accuracy ±0,1 °C Can be calibrated in accordance with ISO/IEC 17025 Calibration requires adaptor. Part no: 115s001



Ordering info

Part no: 112s001 - DT112 FC Digital Temperature Probe
(Delivered with factory calibration certificate)

Part no: 800s010/800s011AC - Accredited calibration of DT probe
in 2 points

Part no: 800s010 - Factory calibration of DT probe in 2 points

Nilotech ApS

Knudstrupvej 14 - DK-4270 Hoeng, Denmark
+45 30 32 32 96 - contact@nilotech.eu - www.nilotech.eu