



DT123

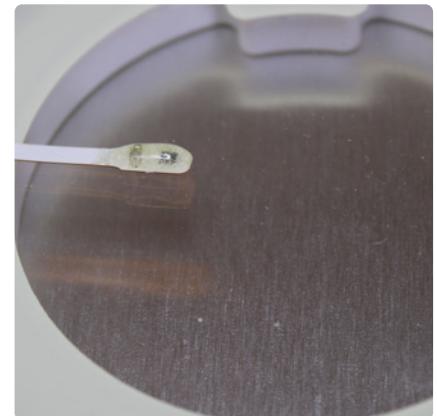
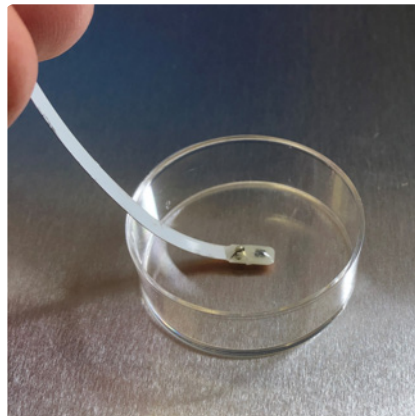
Digital Dish-Temperature Probe

The DT123 Digital Dish-Temperature Probe is a state-of-the-art instrument designed for precision and ease of use in laboratory settings. Its 200 mm flat flexible wire and small sensor allow for accurate temperature measurements in narrow spaces without significantly disturbing the environment. This sensor is particularly suited for applications where maintaining the correct temperature is vital for cell viability such as inside dishes.

Functions & Technology

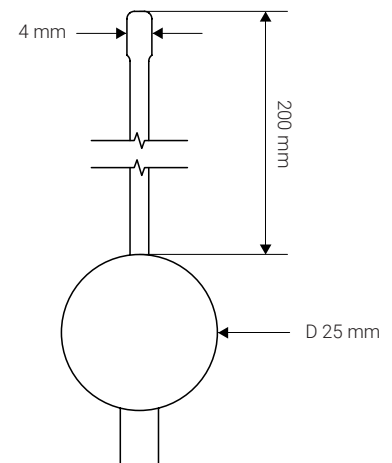
Dedicated temperature sensor for dishes and tubes.

DT123 is ideal for controlling and calibrating heated stages and other sensitive heating devices. The probe can be placed on any surface, such as metal, glass, plastic etc. We have made it possible to connect 5 different probes to one NiloChecker. Controlling and calibrating your lab equipment has never been faster or easier.



Specifications

Sensor type	Digital temperature sensor
Measure range & accuracy	-20 - 50 °C/0,03 °C accuracy possible
Display resolution and update	0,01 °C, one update per second
T90 (min:sec)	0:45
Compliance	ISO/EN61010-1 • RoHS • CE with NiloChecker 500 Medical grade sensor - ISO 80601-2-56 and ASTM E1112
Operating conditions	0 - 50 °C/5 - 95% RH
Cable length	1,7 m (including 0,5m flat cable)
Materials	Flexible FR-4, Epoxy. Cable: TPE (Flat part), PVC (Round part)
IP Class	IP50
Calibration	Delivered with factory calibration certificate. Accuracy ± 0,1 °C Can be calibrated in accordance with ISO/IEC 17025 Calibration requires adaptor. Part no: 115s001



Ordering info

Part no: 123s001 - DT123 Digital Dish Temperature Probe (Delivered with factory calibration certificate)
Part no: 800s010/800s011AC - Accredited calibration of DT probe in 2 points
Part no: 800s010 - Factory calibration of DT probe in 2 points