

nilotech



Nilotech Product Range

Quality control instrumentation
for specialized laboratories

Version: 02/2025



Save Precious Time on Quality and Process Control



"When I use my NiloChecker, it is easy and fast to control gas and temperature in incubators. I simultaneously measure both parameters and quickly move to another incubator; the unit even saves all measurements. I always bring the NiloChecker into our various laboratories - it's easy to carry around and super accurate.

A true all-in-one device."

Kirsten Simonsen, MSc

Laboratory Manager, Senior Embryologist
Maigaard Fertilitetsklinik

Innovative, Exceptional and Dependable



"I am extremely satisfied with my NiloChecker tablet and sensor collection. In my experience, Nilotech is a passionate and engaged company that is committed to quality and their customers, and their Nilochecker product line clearly reflects this.

Despite being a high-performance tool, the Nilochecker is approachable, straightforward, and easy to use. It is robust and well-adapted to its lab application, and key design features help facilitate and ensure correct and accurate use. In cases where shortcomings have come up in specific end-use scenarios, Nilotech has welcomed the end-user feedback and worked to address them. They are continually refining and improving their designs and also coming up with new offerings. I am always excited to see these new items and put them to use in the field.

My own NiloChecker kit goes with me everywhere. Its accuracy, reliability, and utility are unparalleled and make it indispensable. Whether it's in my carry-on for the plane or in my pack for a local service visit, it's always in my bag and ready for use. Having used my NiloChecker extensively in the past few years, I can't imagine working without it now. It is an excellent tool that I depend on and use with confidence. Thank you, Nilotech!"

Tim Carter, PhD

Scientific & Technical Director
Fertitech Canada

NiloChecker 500

One reference instrument - many applications

As a gold standard within Quality Assurance and Quality Control, The NiloChecker supports measurement of five different modalities in the IVF laboratory: Temperature, Humidity, O₂ & CO₂ Concentrations, and Air Flow – with more to come. The NiloChecker is available in two configurations. The standard version is a preferred all-in-one device for spot check and calibration, used by both laboratory personnel and service engineers. The monitoring version automatically transfers data from equipment to the cloud for storage and documentation, providing a more strategic approach to overall operations of your laboratory.

Functions & Technology

Time saving

Save precious time on process and quality control. Perform up to 10 simultaneous measurements. For instance, check your incubator for CO₂, O₂, and temperature at the same time.

Easy as 1-2-3

A large touch screen with intuitive software guides you through the measurement. It helps you to perform measurements in accordance with international standards and manufacturers recommendations.

Integrated documentation

The Add-to-table function helps you processing and organizing data from many measurements.

Long battery life

Just bring the NiloChecker around. The high capacity battery ensures hours of measurement time between charging.

No need for calibration

The instrument is fully digital and will never need calibration. The instrument stays in the lab and measurement probes can be controlled and calibrated separately.

Compatible sensors

Compatible with CO₂, O₂, temperature, humidity and air velocity sensors. Simultaneous measurements up to 10 sensors on 5 ports.

Integrated functions

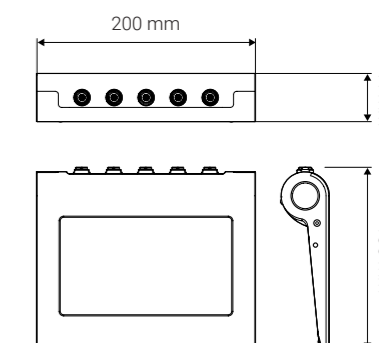
Graph function: Important tool to track any measurement. Instant measuring: Instrument starts to measure once a probe is connected. Timer function: Start/Stop allows to measure in a predefined time. Calculations: Max, Min, Average, Moving average, Deviation from average. Easy to collect data from multiple sensors.

Online monitoring

NiloChecker 500 will together with the NiloCloud ensure constant monitoring of equipment in your lab.

Specifications

Measure range and accuracy	Depends on connected probe
Display and Touch	7" - 800 x 480 pixel - Capacitive touch - Adjustable brightness
Data storage and export	Internal memory. - Export data to PC via USB
Compliance	ISO/EN 61010:2010 • IEC 60950-1:2005/ • AMD2:2013 • CE
Operating conditions	0-50 °C - 5-95% RH, IP50
Power supply	12 V/30 W - Wall plug adaptor - 100-240 V
Connectors	5 Pcs - Stainless steel with lock and quick release
Battery time	8 Hours - Level displayed in %
Charging Time	< 3 hours



Ordering info

Part no: 111s001 - NiloChecker 500
Part no: 111s002 - NiloChecker 500 WiFi

Nilotech ApS

Knudstrupvej 14 - DK-4270 Hoeng, Denmark
+45 30 32 32 96 - contact@nilotech.eu - www.nilotech.eu

NiloCloud

A scalable, secure, and seamless cloud solutions



NiloCloud

Designed to ease data logging and storage, the NiloCloud offers a unique insight in your operations at all levels. From service departments scheduling maintenance and calibration, creating statistics, and engaging in a meaningful dialogue with the customers, to clinics getting overview of production performance and contract holders being empowered to perform strategic decision making. All in your time and where you decide to do it. Sharing and engaging with colleagues over time and geography the NiloCloud is value creation beyond expectation and perhaps desire.

Functions & Technology

Reduce your workload

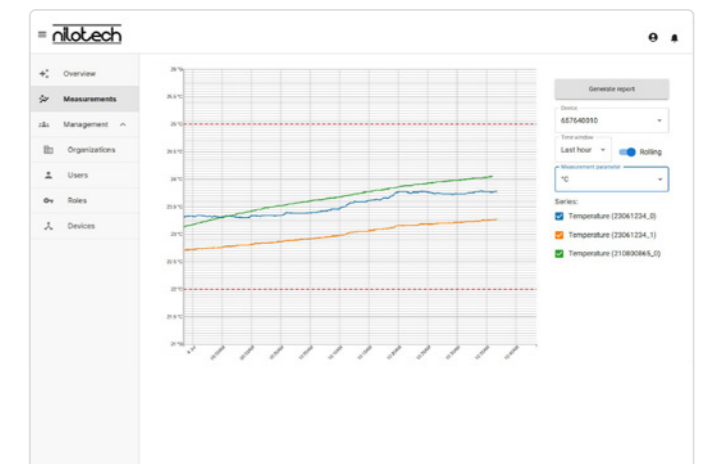
Automatic collection and storing of data for purposes of quality control and assurance, certification, audit, and long-term performance monitoring provides flexibility in prioritising your tasks.

Secure your data

All data collected from every piece of equipment connected to a NiloChecker is securely stored in the NiloCloud providing complete traceability and documentation.

Get notified

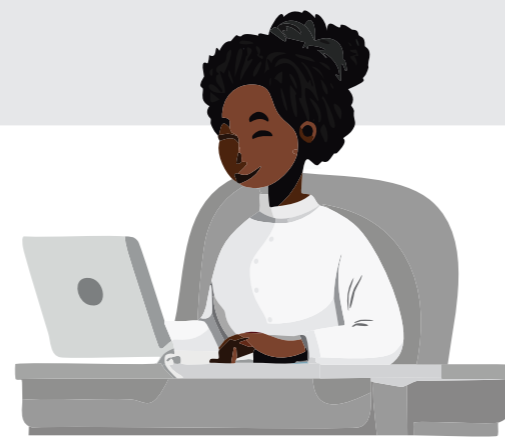
Get notifications at your convenience. Set your preferred limits and schedules and get notifications at your convenience by e-mail or text.



Data Collection

The NiloChecker collects data directly from the source in your laboratory. This automation frees up time for you to focus on your artisan lab work.

Consolidated data allows you to check all parameters from all connected equipment simultaneously from one display.



Workstation

Monitor, analyse and collaborate. From your workstation you can monitor equipment performance in real time and get notified, when set limits are crossed or discrete procedural steps have finished. You can analyse data from different sources and compare performance, in your own time and from everywhere. You can collaborate with colleagues and peers long-distance across continents and time-zones.

Specifications

NiloCloud
 Requirements: LAN - WiFi - GSM-network
 Computer requirements (minimum): Intel® i3, 4 Gb RAM
 Cloud Storage Capacity: Unlimited one year storage
 Export format: *.csv

UPS for NiloRouter
 Input Voltage 9-30 VDC
 Output Voltage (battery mode) 12 VDC
 Max Output (W/A) 22W/1,8 Ampere
 Battery Capacity 2600mAh / 17Wh
 Operating Time 1,5 - 4 hours

NiloRouter
 Dimensions (w/o antennas) (114.5 x 93.6 x 32) mm
 Weight 360 g
 Interface Ethernet WiFi
 Networking Interface (2) GbE RJ45 ports, LTE Category 4 radio WiFi 4.
 Max Network Speed 150/50 Mbps (Down/Up)
 WiFi Standard 802.11 b/g/n, WiFi 2.4GHz
 Ambient operating temperature -40 °C - 70 °C
 Ambient operating humidity 5% to 95% noncondensing
 Mounting DIN rail/wall/pole mount (Included)



Ordering info

Part no: 500s001 - NiloCloud Quarterly License
Part no: 500s002 - Text service for NiloCloud
Part no: 500s003 - NiloRouter Mobile Industrial Router
Part no: 500s004 - UPS for NiloRouter

Nilotech ApS

Knudstrupvej 14 - DK-4270 Hoeng, Denmark
 +45 30 32 32 96 - contact@nilotech.eu - www.nilotech.eu

Probe Compatibility Table



The below table show the compatibility of NiloChecker probes with specific equipment brands and models. Nilotech has performed extensive validation of our solution together with equipment manufactures and/or end users. Correct use of equipment is imperative for correct results, and Nilotech encourages all users to contact us with questions and requests for training.

Target	Box-type Incubator	Cook Minc	ESCO MIRI/TL	K-Systems G185	K-Systems G210	Origio/Planer BT37	Vitrolife EmbryoScope/ EmbryoScope+	IVF Workstation	ICSI Station	Warming Blocks/ Heaters	Cryogenic Applications
Nilotech probe											
 DG126 Page 9	CO ₂ and O ₂ via chamber sample port		CO ₂ and O ₂ via chamber sample port	CO ₂ and O ₂ via sample port	CO ₂ and O ₂ via sample port in chamber lid		CO ₂ and O ₂ via sample port				
 DG112 Page 10	CO ₂ and O ₂ inside chamber		CO ₂ and O ₂ inside chamber								
 DG122 Page 11		CO ₂ and O ₂ output from filter	CO ₂ and O ₂ via chamber sample port		CO ₂ and O ₂ via external monitoring chamber	CO ₂ and O ₂ output from filter					
 DT121 Page 12		Top and bottom temperature in one chamber				Top and bottom temperature in one chamber					
 DT112 Page 13	Shelf temperature		Bottom temperature in one chamber					Surface temperature heated table top			
 DT122 Page 14	Shelf temperature, 2 positions		Bottom temperature in two chambers					Surface temperature heated table top, 2 positions			
 PT120 Page 15							Chamber temperature	Temperature on heated stage	Airstream temperature in RI Integra		
 DT123 Page 16	Temperature inside dish or test tube		Temperature inside dish in chamber					Temperature on heated stage or inside dish		Temperature in test tube	
 PT123 Page 17	Air temperature or temperature in test tube					Chamber temperature in side-port		Temperature in test tube		Temperature in test tube	
 PT125 Page 18	Air temperature or temperature in test tube					Chamber temperature in side-port		Temperature in test tube		Temperature in test tube	Temperature in cryogenic tank
 DH140 Page 19	Humidity inside incubator chamber	Humidity inside incubator chamber	Humidity inside incubator chamber			Humidity inside incubator chamber		Environmental humidity or humidity inside workstation			
 DLV119 Page 20								Laminar airflow measurements and calculations			



DG126
Digital CO₂/O₂ Probe with pump

The DG126 Digital CO₂/O₂ probe with pump represents a significant advancement in incubation monitoring technology. Its compact design and broad compatibility make it an ideal choice for managing both box-type and desktop incubators.

Functions & Technology

Dual measurements

Connect the flexible tubing to a sample port or use the sample needle to sample from narrow openings. Start the pump from the NiloChecker device, and it measures CO₂ and O₂ simultaneously.

Flexible design

The probe can be placed near- or on- the target device to minimize tubing length. Short tubing minimizes measurement time and usage of gas.

Ease of use

Connect up to 5 DG126 probes simultaneously. With the NiloChecker in your hand, you can start/stop measurements, monitor progress and store readings for later analysis.

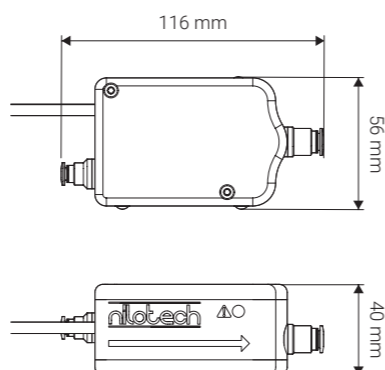
Output data

CO₂ and O₂ in %. The NiloChecker calculates and maps data including min., average, and max. values from several measurement sessions. See NiloChecker product sheet for more information about exporting measurement data.



Specifications

Sensors	NDIR (CO ₂), Electro-chemical (O ₂)
Measure range	0 - 30% O ₂ /0 - 12% CO ₂
Accuracy	0,2% O ₂ , 0,1% CO ₂ ±3% of reading
T90	< 20 sec. (O ₂), < 15 sec. (CO ₂)
Compensation for ambient conditions	Temperature (20 - 40 °C), altitude (700 - 1100 mbar)
Pump flow	100 - 150 ml/min
Display resolution and update	0,1%, one update per sec.
Cable length	1 m
Tube fitting	Luer-lock as standard. Other 1/8" fittings optional
Compliances	CE with NiloChecker 500 • RoHS
Calibration	Delivered with factory calibration certificate Can be calibrated in accordance with ISO/IEC 17025 Calibration requires adaptor. Part no: 115s001
Operating conditions	0 - 50 °C, 5 - 95% RH (Non condensing)



Ordering info

Part no: 126s002 - DG126 Digital CO₂/O₂ probe with pump
Delivered with factory calibration certificate.
Part no: 800s015 - Calibration of Nilotech gasprobe incl. factory and gas certificates

Nilotech ApS

Knudstrupvej 14 - DK-4270 Hoeng, Denmark
+45 30 32 32 96 - contact@nilotech.eu - www.nilotech.eu

Document
126d001_02/2025



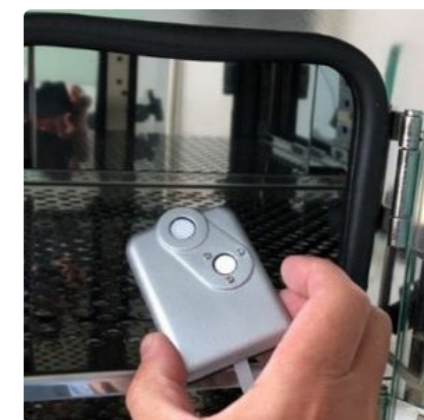
DG112
Digital CO₂/O₂ Probe

The challenge of measuring gas concentrations within incubators is indeed complex, particularly due to the potential for disturbance to the incubator's environment caused by gas aspiration. The precision of gas measurement is crucial in applications such as cell culture, where maintaining an environment that closely mimics in vivo conditions is essential for cell growth and reproduction.

Functions & Technology

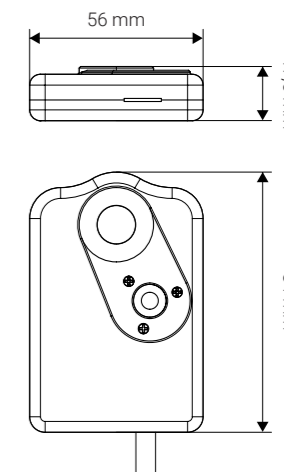
CO₂/O₂ probe

The Digital Carbon Dioxide (CO₂) and Oxygen (O₂) probe represents a significant advancement in incubator control technology. Its innovative flat design make it an ideal choice for a variety of laboratory settings, including desktop incubators. This probe enables continuous monitoring of CO₂ and O₂ levels, which is crucial for maintaining the optimal environment for cell cultures and other sensitive biological samples.



Specifications

Sensors	NDIR (CO ₂), Electro-chemical (O ₂)
Measure range	0 - 30% O ₂ /0 - 12% CO ₂
Accuracy	0,2% O ₂ , 0,1% CO ₂ ± 3% of reading
T90	< 20 sec. (O ₂), < 15 sec. (CO ₂)
Compensation for ambient conditions	Temperature (20 - 40 °C), altitude (700 - 1100 mbar)
Display resolution and update	0,1%, one update per sec.
Cable length	2 m
Compliances	CE with NiloChecker 500 • RoHS
Calibration	Delivered with factory calibration certificate Can be calibrated in accordance with ISO/IEC 17025. 0 - 50 °C Calibration requires adaptor. Part no: 115s001
Operating conditions	5 - 95% RH (Non condensing)



Ordering info

Part no: 112s003 - DG112 VFC (Very flat cable for desktop incubators)
Delivered with Factory calibration certificate.
Part no: 800s015 - Calibration of Nilotech gasprobe incl. factory and gas certificates

Nilotech ApS

Knudstrupvej 14 - DK-4270 Hoeng, Denmark
+45 30 32 32 96 - contact@nilotech.eu - www.nilotech.eu

Document
112d002_02/2025



DG122
Digital Flow-Through CO₂/O₂ Probe

The DG122 Digital CO₂/O₂ probe is a state-of-the-art instrument designed for accurate gas analysis. Its cutting-edge technology allows for minimal flow resistance, which is essential for real-time monitoring in diverse applications.

Functions & Technology

Dual measurements

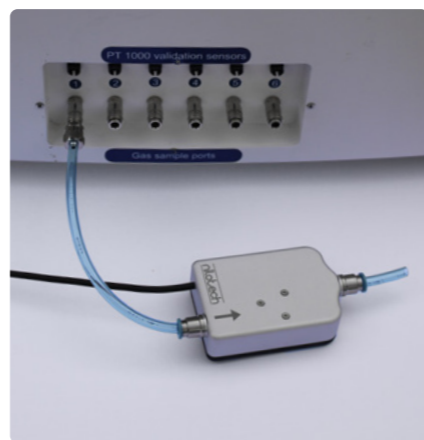
The DG122 is a sophisticated gas analyzer designed to measure CO₂ and O₂ levels simultaneously. To ensure accurate readings, it's essential to connect the DG122's input port to a gas sample port on the target device. If the target device has a return port, the DG122's output port should be connected there. For systems with high flow rates, flow restrictors can be utilized to minimize the sample flow, preventing potential measurement errors and ensuring the integrity of the gas analysis. Important: DG122 does not contain a pump and relies on the flow from the target device. Please refer to DG126 for a probe with pump.

Ease of use

Connect up to 5 pcs DG122 probes simultaneously to each NiloChecker. You can start/stop measurements, monitor progress and store readings for later analysis.

Output data

CO₂ and O₂ in %. The NiloChecker calculates and maps data including min., average, and max. values from any measurement sessions. See NiloChecker specifications for more information.



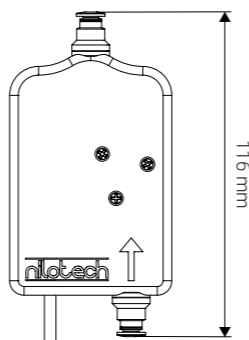
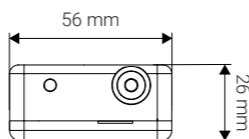
Specifications

Sensors	NDIR (CO ₂), Electro-chemical (O ₂)
Measure range	0 - 30% O ₂ /0 - 12% CO ₂
Accuracy	0,2% O ₂ , 0,1% CO ₂ ±3% of reading
T90	< 20 sec. (O ₂), < 15 sec. (CO ₂)
Compensation for ambient conditions	Temperature (20 - 40 °C), altitude (700 - 1100 mbar)
Display resolution and update	0,1%, one update per sec.
Cable length	2 m
Tube fittings	6 mm push-in as standard. Other 1/8" fittings optional.
Compliances	CE with NiloChecker 500 • RoHS.
Calibration	Delivered with factory calibration certificate. Can be calibrated in accordance with ISO/IEC 17025.
Operating conditions	0 - 50 °C Calibration requires adaptor. Part no: 115s001. 0 - 40 °C, 5 - 95% RH (Non condensing)



Ordering info

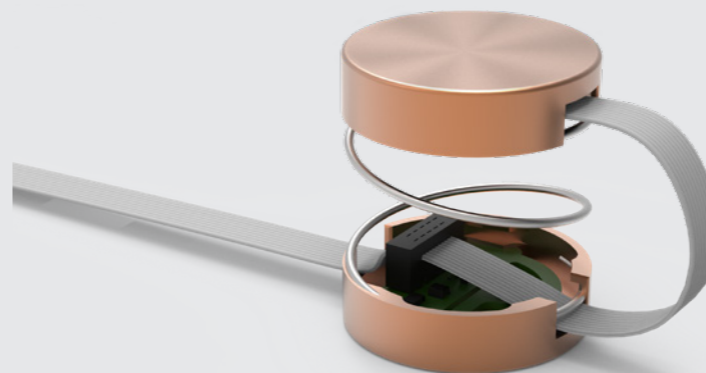
Part no: 122s002 - DG122 Digital flow-through CO₂/O₂ probe. Delivered with factory calibration certificate.
Part no: 800s015 - Calibration of Nilotech gas probe incl. factory and gas certificates.



Nilotech ApS

Knudstrupvej 14 - DK-4270 Hoeng, Denmark
+45 30 32 32 96 - contact@nilotech.eu - www.nilotech.eu

Document
122d001_02/2025



DT121
Up-Down Digital Temperature Probe

The DT121 Up-Down Digital Temperature Probe represents a significant advancement in precise temperature control of cell culture incubators. Its innovative design with a copper top and bottom, connected by a spring, ensures optimal thermal contact with both the chamber floor and lid. This dual-measurement capability allows for simultaneous monitoring of two critical points with a single device, streamlining the process and ensuring the integrity of the cell environment.

Functions & Technology

Dual measurements

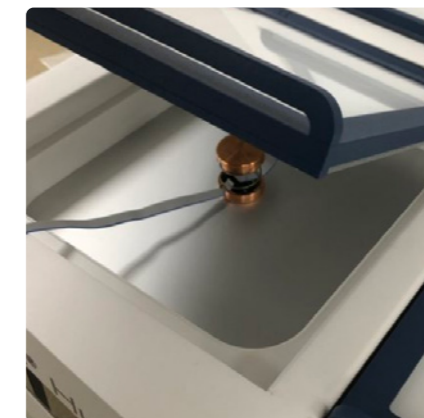
Our unique Up-Down probe is ideal for controlling and calibrating desktop incubators through its 2 digital temperature sensors.

Ease of use

We have made it possible for you to connect up to 5 probes in one NiloChecker. Controlling and calibrating desktop incubators has never been faster og easier.

Flexible design

The probe can be placed on an incubator chamber floor, while the spring ensures good contact between upper sensor and lid.



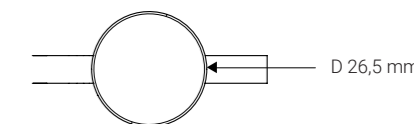
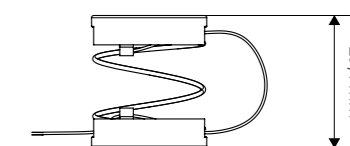
Specifications

Sensor type	2 x Digital temperature sensors
Measure range & accuracy	-25 - 50 °C/0,03 °C accuracy possible.
Display resolution and update	0,01 °C, one update per second
T90 (min:sec)	1:45
Compliance	ISO/EN61010-1 • RoHS • CE with NiloChecker 500 Medical grade sensor - ISO 80601-2-56
Operating conditions	0 - 50 °C/5 - 95% RH
Cable length	1,7 m (including 0,5 m flat cable)
Materials	Housing: Copper. Cable: TPE (Flat part), PVC (Round part)
IP Class	IP50
Calibration	Delivered with factory calibration certificate. Accuracy ±0,1 °C Can be calibrated in accordance with ISO/IEC 17025. Calibration requires adaptor. Part no: 115s001.



Ordering info

Part no: 121s001 - DT121 Up-Down Digital Temperature Probe (Delivered with factory calibration certificate)
Part no: 800s010/800s011AC - Accredited calibration of DT probe in 2 points
Part no: 800s010 - Factory calibration of DT probe in 2 points



Nilotech ApS

Knudstrupvej 14 - DK-4270 Hoeng, Denmark
+45 30 32 32 96 - contact@nilotech.eu - www.nilotech.eu

Document
121d001_02/2025



DT112
Digital Temperature Probe

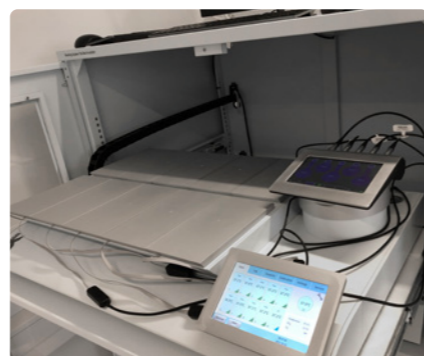
Maintaining the correct temperature within incubators is indeed vital for cell viability and development. Typically, incubators are set to 37 °C to mimic the body's conditions and promote optimal cell growth. The use of a flat temperature probe is an excellent method to monitor these conditions accurately. The copper bottom of the probe is a thoughtful design feature, ensuring efficient thermal contact with various surfaces, which is essential for reliable temperature readings and, consequently, for the health of the cell cultures.

Functions & Technology

Temperature probe

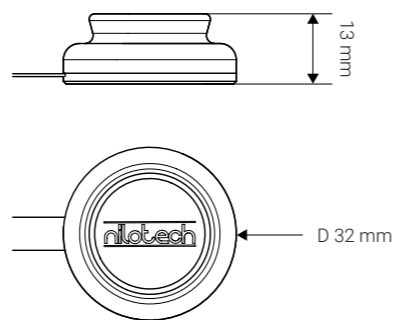
This unique surface-temperature probe is ideal for controlling and calibration incubators and heating surfaces.

The design of these sensors, featuring a conductive copper base and an insulating top, ensures maximum thermal contact and accuracy. Moreover, the factory calibration of each sensor, along with the option for a third-party accredited calibration certificate, guarantees reliability.



Specifications

Sensor type	Digital temperature sensor
Measure range & accuracy	-20 - 50 °C/0,03 °C accuracy possible
Display resolution and update	0,01 °C, one update per second
T90 (min:sec)	1:45
Compliance	ISO/EN61010-1 • RoHS • CE with NiloChecker 500
	Medical grade sensor - ISO 80601-2-56
Operating conditions	0 - 50 °C/5 - 95% RH
Cable length	1,7 m (including 0,5 m flat cable)
Materials	Housing: ABS, Copper. Cable: TPE (Flat part), PVC (Round part)
IP Class	IP50
Calibration	Delivered with factory calibration certificate. Accuracy ±0,1 °C Can be calibrated in accordance with ISO/IEC 17025 Calibration requires adaptor. Part no: 115s001



Ordering info

Part no: 112s001 - DT112 FC Digital Temperature Probe (Delivered with factory calibration certificate)
Part no: 800s010/800s011AC - Accredited calibration of DT probe in 2 points
Part no: 800s010 - Factory calibration of DT probe in 2 points

Nilotech ApS

Knudstrupvej 14 - DK-4270 Hoeng, Denmark
+45 30 32 32 96 - contact@nilotech.eu - www.nilotech.eu

Document
112d001_02/2025



DT122
Dual Digital Temperature Probe

Accurate temperature control is crucial in any position where living cells are handled. The standard temperature setting of 37 °C reflects the human body's natural condition, providing an ideal environment for most cell types. Utilizing a flat temperature probe with a copper bottom enhances the accuracy of temperature measurements due to its superior thermal conductivity, which is vital for maintaining the integrity and health of the cell cultures. This attention to detail in equipment design significantly contributes to the success of IVF treatments and biological research.

Functions & Technology

Dual temperature probe

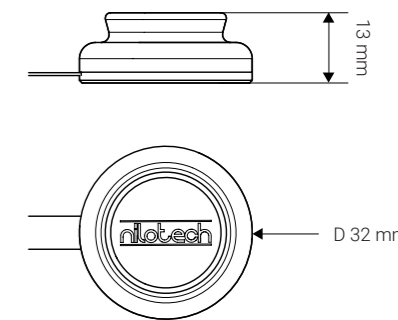
The DT122 is a versatile tool, equipped with dual temperature sensors within a single probe, enabling simultaneous measurements at two distinct locations.

NiloChecker 500 expands these capabilities, allowing for the measurement and calibration of up to ten different positions or chambers at once and precision in various applications.



Specifications

Sensor type	2 x Digital temperature sensors
Measure range & accuracy	-20 - 50 °C/0,03 °C accuracy possible.
Display resolution and update	0,01 °C, one update per second
T90 (min:sec)	1:45
Compliance	ISO/EN61010-1 • RoHS • CE with NiloChecker 500
	Medical grade sensor - ISO 80601-2-56
Operating conditions	0 - 50 °C/5 - 95% RH
Cable length	1,7 m (including 0,5 m flat cable)
Materials	Housing: ABS, Copper. Cable: TPE (Flat part), PVC (Round part)
IP Class	IP50
Calibration	Delivered with factory calibration certificate. Accuracy ±0,1 °C Can be calibrated in accordance with ISO/IEC 17025. Calibration requires adaptor. Part no: 115s001



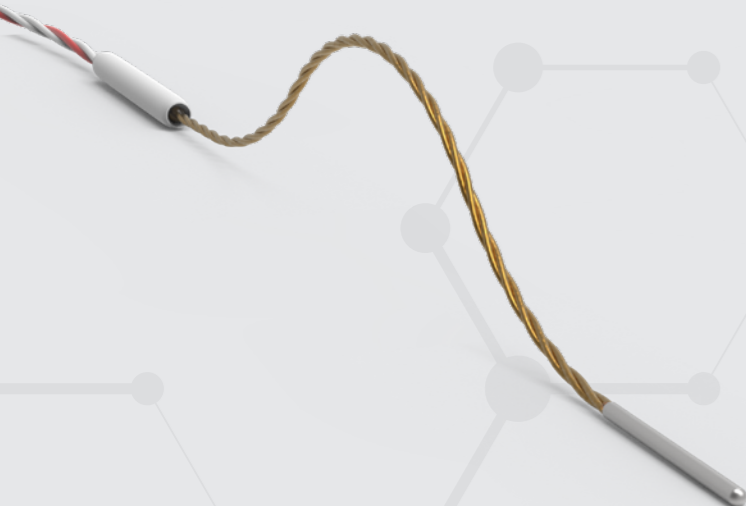
Ordering info

Part no: 122s001 - DT122 Dual Digital Temperature Probe (Delivered with factory calibration certificate)
Part no: 800s010/800s011AC - Accredited calibration of DT probe in 2 points
Part no: 800s010 - Factory calibration of DT probe in 2 points

Nilotech ApS

Knudstrupvej 14 - DK-4270 Hoeng, Denmark
+45 30 32 32 96 - contact@nilotech.eu - www.nilotech.eu

Document
122d001_02/2025



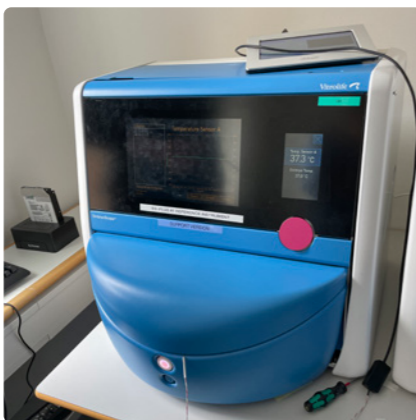
PT120
Platinum 1 mm Flexible Temperature probe

The PT120 represents a significant advancement in temperature sensing technology. Its platinum construction ensures high accuracy and stability, making it ideal for precision measurement needs. The compact design allows for easy integration into a variety of systems without disturbance, and the quick response time enables real-time monitoring and control.

Functions & Technology

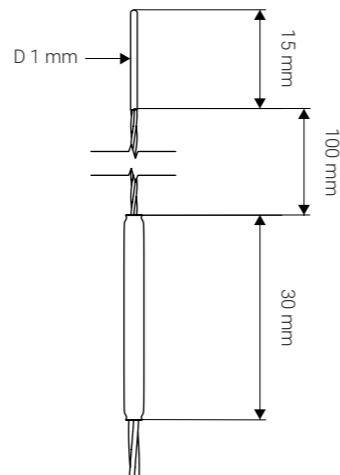
Ideal temperature probe for narrow openings down to 1 mm in diameter
The industry standard PT-100 sensor is precise and stable over a wide temperature range.

PT120 is also particularly useful for controlling heated stages inside dishes and other sensitive heated devices. The probe can be placed on any surface, such as metal, glass, plastic etc. The probe can also be useful to measure liquids provided that it is placed inside a water-tight pouch.



Specifications

Sensor type	Analog PT-100 temperature sensor (3 wire)
Measure range & accuracy	-50 - 50 °C/0,03 °C accuracy possible
Display resolution and update	0,01 °C, one update per second
T90 (min:sec)	0:25
Compliance	ISO/EN61010-1 • RoHS • CE with NiloChecker 500
Operating conditions	0 - 50 °C/5 - 95% RH
Cable length	2 m
Materials	Stainless steel tip, polyamide and Teflon coated connection wires, PVC cable
IP Class	IP50
Calibration	Delivered with factory calibration certificate. Accuracy ± 0,1 °C in the range 0 - 50 °C PT120 can be calibrated in accordance with ISO/IEC 17025



Ordering info

Part no: 120s002 - PT120 Platinum 1 mm Flexible Temperature Probe
Part no: 800s012/800s013 AC - Accredited calibration of 1 temperature sensor
Part no: 800s012 - Factory calibration of PT probe in 3 points

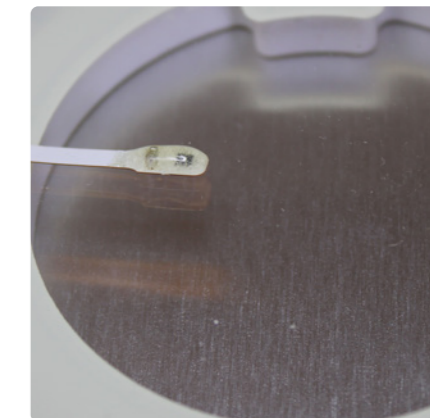
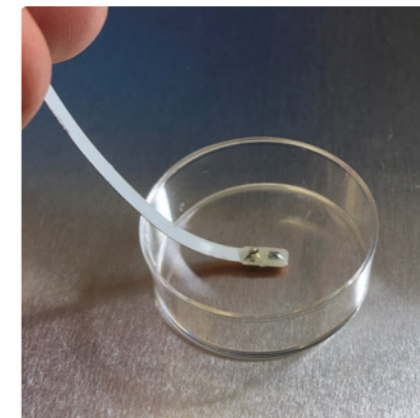


DT123
Digital Dish-Temperature Probe

The DT123 Digital Dish-Temperature Probe is a state-of-the-art instrument designed for precision and ease of use in laboratory settings. Its 200 mm flat flexible wire and small sensor allow for accurate temperature measurements in narrow spaces without significantly disturbing the environment. This sensor is particularly suited for applications where maintaining the correct temperature is vital for cell viability such as inside dishes.

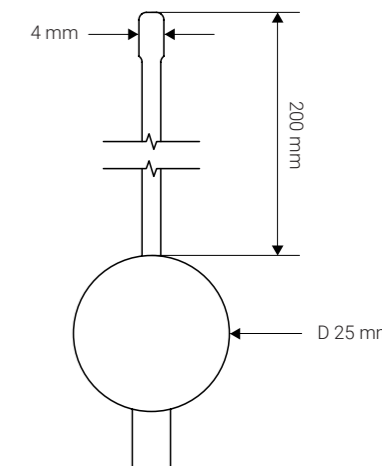
Functions & Technology

Dedicated temperature sensor for dishes and tubes.
DT123 is ideal for controlling and calibrating heated stages and other sensitive heating devices. The probe can be placed on any surface, such as metal, glass, plastic etc. We have made it possible to connect 5 different probes to one NiloChecker. Controlling and calibrating your lab equipment has never been faster or easier.



Specifications

Sensor type	Digital temperature sensor
Measure range & accuracy	-20 - 50 °C/0,03 °C accuracy possible
Display resolution and update	0,01 °C, one update per second
T90 (min:sec)	0:45
Compliance	ISO/EN61010-1 • RoHS • CE with NiloChecker 500 Medical grade sensor - ISO 80601-2-56 and ASTM E1112
Operating conditions	0 - 50 °C/5 - 95% RH
Cable length	1,7 m (including 0,5m flat cable)
Materials	Flexible FR-4, Epoxy. Cable: TPE (Flat part), PVC (Round part)
IP Class	IP50
Calibration	Delivered with factory calibration certificate. Accuracy ± 0,1 °C Can be calibrated in accordance with ISO/IEC 17025 Calibration requires adaptor. Part no: 115s001



Ordering info

Part no: 123s001 - DT123 Digital Dish Temperature Probe (Delivered with factory calibration certificate)
Part no: 800s010/800s011AC - Accredited calibration of DT probe in 2 points
Part no: 800s010 - Factory calibration of DT probe in 2 points



PT123
2,5 x 100 mm stainless steel PT100

The PT123 represents an important advancement in temperature sensing technology. Its stainless steel encapsulated PT100 sensor ensures high accuracy and stability, making it ideal for precision measurements. The immersible tip allows for precise measurements in test tubes, waterbaths and other containers. Quick response time enables real-time monitoring and control.

Functions & Technology

Ideal temperature probe for liquids

The industry standard PT-100 sensor is precise and stable over a wide temperature range. The Nilotech PT123 measures between -50 °C to 100 °C.

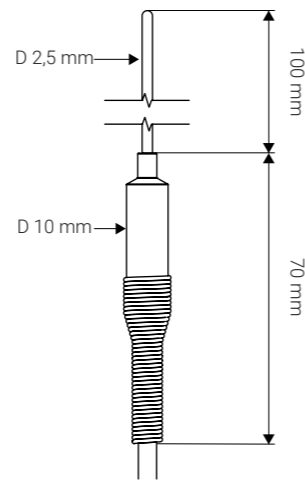
PT123 is particularly useful for controlling liquids in water baths, test tubes, and other fluid containers.

The probe can be inserted into any opening larger than 2,5 mm diameter such as sideports on incubators.



Specifications

Sensor type	Analog PT-100 temperature sensor (3 wire)
Measure range & accuracy	-50 - 100 °C, 0,03 °C accuracy possible
Display resolution and update	0,01 °C, one update per second
T90 (min:sec)	0:45
Compliance	ISO/EN61010-1 • RoHS • CE with NiloChecker 500
Operating conditions	0 - 50 °C/5 - 95% RH
Cable length	2 m with option for customisations
Materials	Tip: Stainless steel - Cable: PVC
IP Class	IP50
Calibration	Delivered with factory calibration certificate. Accuracy ± 0,1 °C in the range 0 - 100 °C PT123 can be calibrated in accordance with ISO/IEC 17025 Calibration requires an adaptor. Part no: 115s001



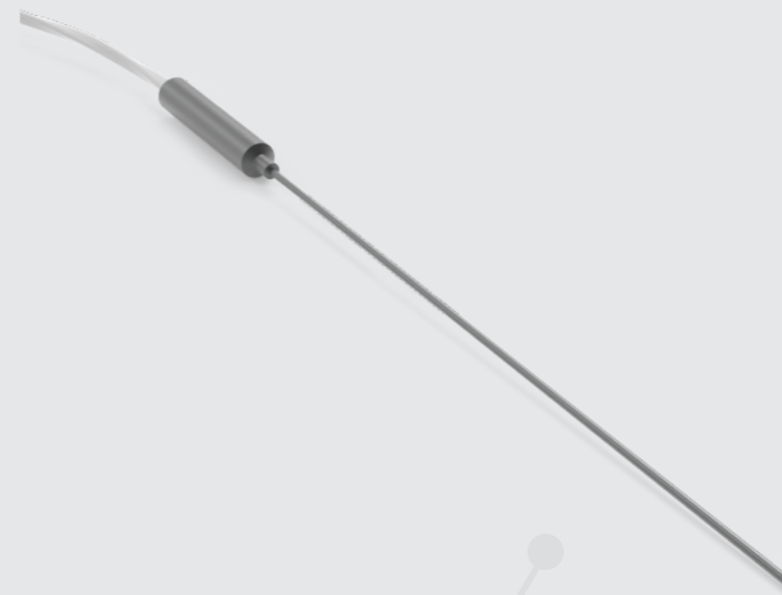
Ordering info

Part no: 120s003 - 2,5 x 100 mm stainless steel PT100
Part no: 115s001 - Single probe calibration adaptor
Part no: 800s012/800s013 AC - Accredited calibration of 1 temperature sensor
Part no: 800s012 - Factory calibration of PT probe in 3 points

Nilotech ApS

Knudstrupvej 14 - DK-4270 Hoeng, Denmark
 +45 30 32 32 96 - contact@nilotech.eu - www.nilotech.eu

Document
 123d001_02/2025



PT125
1,6 x 150 mm stainless steel cryogenic PT100

Maintaining the temperature of cryogenic sample storage is essential to preserve the integrity of cell-based materials used in various research and therapy applications. The PT125 Cryo Temperature Probe is perfect for measuring temperatures inside cryo preservation tanks. With a temperature range from -200°C to +50°C, this probe is suitable for both spot-checking liquid levels and long-term monitoring.

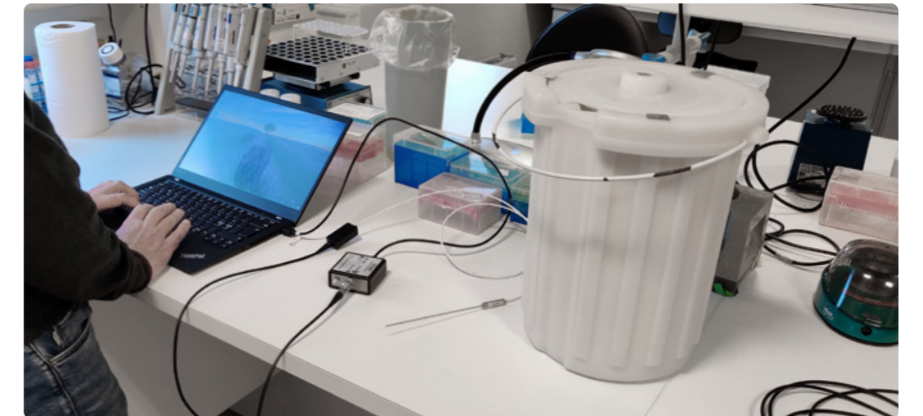
Functions & Technology

Specialised cryogenic probe

The PT125 Cryo Temperature Probe is designed for ease and safety. Its 150mm long tip allows for easy positioning in any open vessel.

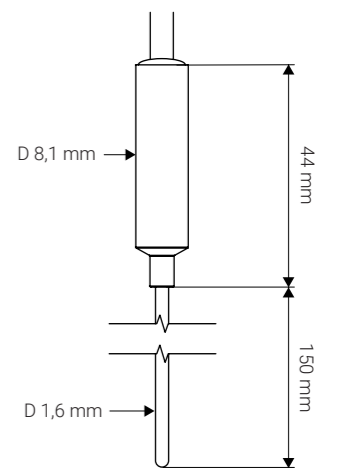
The 1.6mm tip minimizes heat transfer through the probe.

The attached Teflon cable enables the entire probe to be immersed in a large dewar for quick level control or long-term monitoring.



Specifications

Sensor type	Analog PT-100 temperature sensor (3 wire)
Measure range & accuracy	-200 - 50°C, 0,03 °C accuracy possible
Display resolution and update	0,01 °C, one update per second
T90 (min:sec)	0:45
Compliance	ISO/EN61010-1 • RoHS • CE with NiloChecker 500
Room operating conditions	0 - 50 °C/5 - 95% RH
Cable length	2 m with option for customisations.
Materials	Tip: Stainless steel - Cable: Teflon and PVC
IP Class	IP50
Calibration	Delivered with factory calibration certificate. Accuracy ± 0,1 °C in the range -200 - 50 °C PT125 can be calibrated in accordance with ISO/IEC 17025 Calibration requires an adaptor. Part no: 115s001



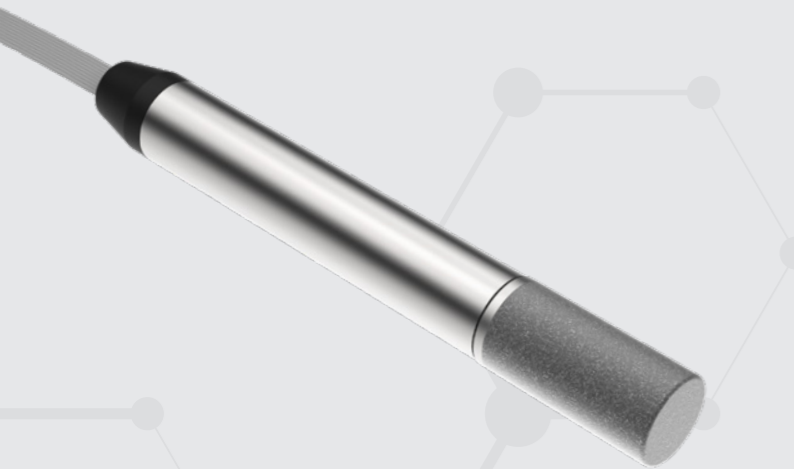
Ordering info

Part no: 120s005 - PT125 Digital Cryo Temperature Probe
Part no: 115s001 - Single probe calibration adaptor
Part no: 800s012/800s013 AC - Accredited calibration of 1 temperature sensor
Part no: 800s012 - Factory calibration of PT probe in 3 points

Nilotech ApS

Knudstrupvej 14 - DK-4270 Hoeng, Denmark
 +45 30 32 32 96 - contact@nilotech.eu - www.nilotech.eu

Document
 125d001_02/2025



DH140
Digital Humidity Probe

Nilotech DH140 Humidity and Temperature Probe is a robust and cost-effective humidity transmitter with high accuracy and good stability. DH140 is suitable for Incubators, laboratories, greenhouses and fermentation devices.

Functions & Technology

Robust design

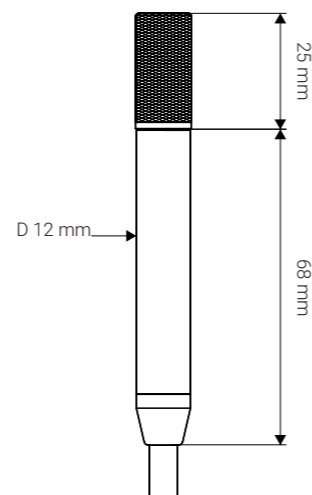
The stainless steel body of DH140 is classified as IP65, making it ideal for rough conditions. DH140 has high chemical tolerance thanks to the digital sensor.

DH140 is connected via a thin flexible cable so it can be positioned inside box- or desk-type incubators without affecting the environment. The magnetic probe holder 140sp002 makes it convenient to install the sensor in the environment. A strong magnet stays firmly attached to steel structures. Alternatively, Ø3.5 mm holes can be used for screw fastening.



Specifications

Sensor type	Capacitive type
Measure range /accuracy	0 - 80% RH, ±1.5%, 0 - 60 °C 80 - 100% RH, ±2%, 0 - 80 °C 20 - 50 °C, ±0.1 °C
Stability	±0,25% RH over 1 year
Display resolution and update	0,1% RH, one update per second
T90 (min:sec)	0:26s
Compliance	ISO/EN61010-1 • EN 61326-1 • RoHS • CE with NiloChecker 500
Operating conditions	0 - 50 °C/5 - 95% RH
Cable length/materials	0,5 m TPE (flat part), 1,2 m PVC (round part) and ABS (junction box)
Sensor Materials	Stainless steel (housing and grid)
IP Class	IP65
Calibration	Delivered with factory calibration certificate Accuracy ±1,5% RH in the range 0 - 80% RH, 0 - 60°C DH140 can be calibrated in accordance with ISO/IEC 17025 Calibration requires an adaptor. Part no: 115s001



Ordering info

Part no: 140s001 - DH140 Digital Humidity Probe
Part no: 140sp002 - Magnetic Probe Holder for DH140
Part no: 800s016 - Factory R.H. calibration of DH140

Nilotech ApS

Knudstrupvej 14 - DK-4270 Hoeng, Denmark
+45 30 32 32 96 - contact@nilotech.eu - www.nilotech.eu

Document
140d001_02/2025



DLV119
Digital Low Velocity Air Flow Probe

Correct laminar flow in IVF workstations is crucial to avoid contaminating cells and ensuring operator safety. The DLV119 can be used to control filters and flow according to manufacturer's recommendations and international standards such as EN 12469 in:

- Biological Safety Cabinets
- Chemical Fume Hoods
- Laminar Flow Hoods
- Clean Benches
- HEPA & Filter Boxes
- And other

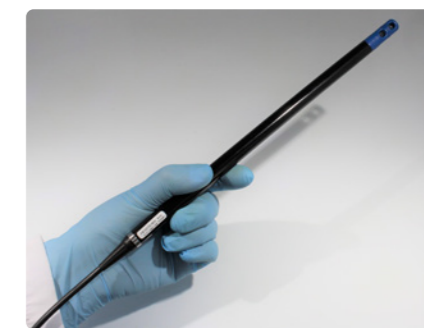
DLV119 is a versatile and rugged, high-performance air velocity probe for low flow.

Functions & Technology

Functions and Technology

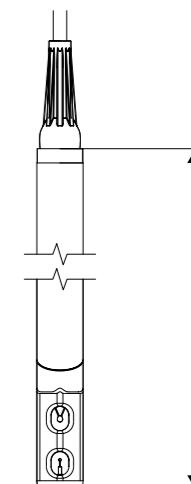
DLV119 is suitable for demanding applications, including those in corrosive or alkaline environments. With its robust, splash proof design, the DLV119 is designed to support a wide range of product and process control air flow applications.

Software in the NiloChecker supports calculation of airflow in accordance with international standards and easy reporting.



Specifications

Sensors	Hot wire anemometer. Temperature compensated
Measure range	Flow: 0,15 - 1,5 m/s. Temperature: 0 °C - 60 °C
Accuracy	Flow: ± 1% of reading + 0,05 m/s. Temperature: ±1 °C
Response time	400 ms
Compensation for ambient conditions	Temperature (0-60 °C)
Display resolution and update	0,01 m/s, 0,01 °C, one update per sec.
Cable length	2 m
Compliances	CE with NiloChecker 500 • RoHS
Calibration	Delivered with factory calibration certificate.. Can be calibrated in accordance with ISO/IEC 17025 Calibration requires adaptor. Part no: 115s001
Operating conditions	5-95% RH (Non condensing)
Materials	Cable: PVC coated Housing: Polycarbonate (PC), UL94-V0 (head) UL94-HB (housing). Aluminium (Cable ring)



Ordering info

Part no: 119s001 - DLV119 Digital Air Velocity Probe (Delivered with factory calibration)
Part no: 800s014AC - Acc. Calibration of DLV119 in 3 points



Nilotech ApS

Knudstrupvej 14 - DK-4270 Hoeng, Denmark
+45 30 32 32 96 - contact@nilotech.eu - www.nilotech.eu

Document
119d001_02/2025



NiloBlock

A new heating block concept for oocyte retrieval

A new insulated heating block which brings optimal temperature stability to test tubes. This newly developed concept allows visual inspection of tube content with minimal heat loss. NiloBlock can be used with standard heating surfaces and compatible block heaters.

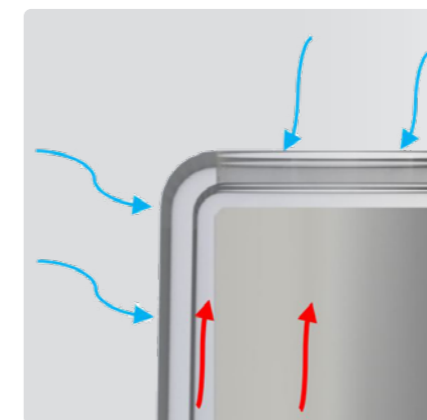
Functions & Technology

The important insulation

Block and Tubes are thermally insulated from the outside by a thin layer of air between block and cover. The insulation ensures a uniform temperature throughout the tubes.

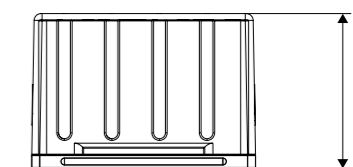
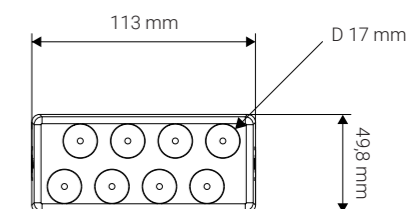
Smart cover

The transparent cover allows observation of the tube content, which is important during Oocyte retrieval. The cover easily snaps on and off for cleaning.



Specifications

Materials	Block: Anodized aluminum Cover: Polycarbonate
Weight	630 g
Contry of origin	Denmark
Cleaning	Block: Handwash and/or autoclave Cover: Handwash or machinewash (max 70 °C)



Ordering info Part no: 110s002 - NiloBlock

Nilotech ApS

Knudstrupvej 14 - DK-4270 Hoeng, Denmark
+45 30 32 32 96 - contact@nilotech.eu - www.nilotech.eu



Accessories

Accessories for our product range



Accessories

Accessories for our product range.



Calibration adaptor

Adaptor to check and adjust any NiloChecker probe

Ordering info
Part no: 115s001



Water trap for DG126

Water trap with luer-lock fittings

Ordering info
Part no: 126sp002



Calibration cap for DG112

Silicone cap for callibrating the DG112 - CO₂ /O₂ probe

Ordering info
Part no: 112s002

UMONIUM38® NEUTRALIS TISSUES

NEUTRALIS TISSUES are broad-spectrum cleaning and disinfectant wipes. They can be used to disinfect your NiloChecker, NiloChecker probes and other non-invasive medical devices. This unperfumed and uncolored product has been developed for use in neonatal incubators, IVF laboratories and more. Delivered in container with 100 wipes 20x20 cm.



Ordering info
Part no: 130s001



Extension cable

3 m. extension cable for NiloChecker probes

Ordering info
Part no: 112s005



NiloCase

Mobile hard case for NiloChecker and sensors

Ordering info
Part no: 111s020



Nilotech ApS

Knudstrupvej 14 - DK-4270 Hoeng, Denmark
+45 30 32 32 96 - contact@nilotech.eu - www.nilotech.eu

Nilotech ApS

Knudstrupvej 14 - DK-4270 Hoeng, Denmark
+45 30 32 32 96 - contact@nilotech.eu - www.nilotech.eu



Notes

A space for your thoughts, ideas and notes.

Lined writing area for notes.



Notes

A space for your thoughts, ideas and notes.

Lined writing area for notes.



nilotech

Nilotech ApS.

Knudstrupvej 14 - DK-4270 Hoeng, Denmark

+45 30 32 32 96 - contact@nilotech.eu - www.nilotech.eu

02/2025