

NiloChecker 500

One reference instrument - many applications

As a gold standard within Quality Assurance and Quality Control, The NiloChecker supports measurement of five different modalities in the IVF laboratory: Temperature, Humidity, O₂ & CO₂ Concentrations, and Air Flow – with more to come. The NiloChecker is available in two configurations. The standard version is a preferred all-in-one device for spot check and calibration, used by both laboratory personnel and service engineers. The monitoring version automatically transfers data from equipment to the cloud for storage and documentation, providing a more strategic approach to overall operations of your laboratory.

Functions & Technology

Time saving

Save precious time on process and quality control. Perform up to 10 simultaneous measurements. For instance, check your incubator for CO₂, O₂, and temperature at the same time.

Easy as 1-2-3

A large touch screen with intuitive software guides you through the measurement. It helps you to perform measurements in accordance with international standards and manufacturers recommendations.

Integrated documentation

The Add-to-table function helps you processing and organizing data from many measurements.

Long battery life

Just bring the NiloChecker around. The high capacity battery ensures hours of measurement time between charging.

No need for calibration

The instrument is fully digital and will never need calibration. The instrument stays in the lab and measurement probes can be controlled and calibrated separately.

Compatible sensors

Compatible with CO₂, O₂, temperature, humidity and air velocity sensors. Simultaneous measurements up to 10 sensors on 5 ports.

Integrated functions

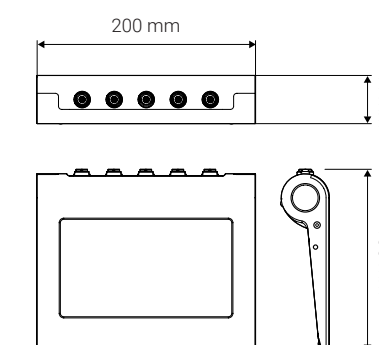
Graph function: Important tool to track any measurement. Instant measuring: Instrument starts to measure once a probe is connected. Timer function: Start/Stop allows to measure in a predefined time. Calculations: Max, Min, Average, Moving average, Deviation from average. Easy to collect data from multiple sensors.

Online monitoring

NiloChecker 500 will together with the NiloCloud ensure constant monitoring of equipment in your lab.

Specifications

Measure range and accuracy	Depends on connected probe
Display and Touch	7" - 800 x 480 pixel - Capacitive touch - Adjustable brightness
Data storage and export	Internal memory. - Export data to PC via USB
Compliance	ISO/EN 61010:2010 • IEC 60950-1:2005/ • AMD2:2013 • CE
Operating conditions	0-50 °C - 5-95% RH, IP50
Power supply	12 V/30 W - Wall plug adaptor - 100-240 V
Connectors	5 Pcs - Stainless steel with lock and quick release
Battery time	8 Hours - Level displayed in %
Charging Time	< 3 hours



Ordering info

Part no: 111s001 - NiloChecker 500
Part no: 111s002 - NiloChecker 500 WiFi

