



DT121

## Up-Down Digital Temperature Probe

The DT121 Up-Down Digital Temperature Probe represents a significant advancement in precise temperature control of cell culture incubators. Its innovative design with a copper top and bottom, connected by a spring, ensures optimal thermal contact with both the chamber floor and lid. This dual-measurement capability allows for simultaneous monitoring of two critical points with a single device, streamlining the process and ensuring the integrity of the cell environment.

### Application & Technology

#### Dual measurements

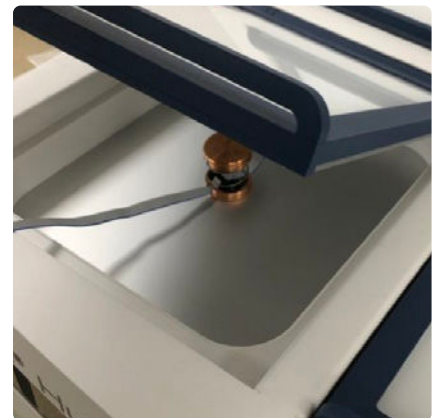
Our unique Up-Down probe is ideal for controlling and calibrating desktop incubators through its 2 digital temperature sensors.

#### Flexible design

The probe can be placed on an incubator chamber floor, while the spring ensures good contact between upper sensor and lid.

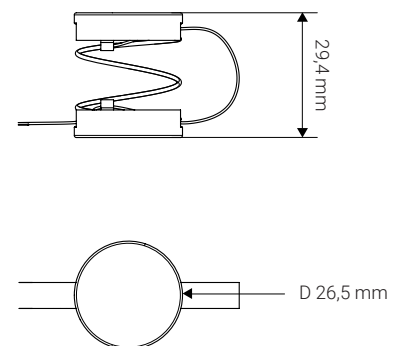
#### Ease of use

We have made it possible for you to connect up to 5 probes in one NiloChecker. Controlling and calibrating desktop incubators has never been faster and easier.



### Specifications

<b>Sensor type</b>	2 x Digital temperature sensors
<b>Measure range &amp; accuracy</b>	-25 - 50 °C/0,03 °C accuracy possible.
<b>Display resolution and update</b>	0,01 °C, one update per second
<b>T90 (min:sec)</b>	1:45
<b>Compliance</b>	ISO/EN61010-1 • RoHS • CE with NiloChecker 500 Medical grade sensor - ISO 80601-2-56
<b>Operating conditions</b>	0 - 50 °C/5 - 95% RH
<b>Cable length</b>	1,7 m (including 0,5 m flat cable)
<b>Materials</b>	Housing: Copper. Cable: TPE (Flat part), PVC (Round part)
<b>IP Class</b>	IP50
<b>Calibration</b>	Delivered with factory calibration certificate. Accuracy ±0,1 °C Can be calibrated in accordance with ISO/IEC 17025. Calibration requires adaptor. Part no: 115s001.



#### Ordering info

**Part no: 121s001** - DT121 Up-Down Digital Temperature Probe (Delivered with factory calibration certificate)  
**Part no: 800s010/800s011AC** - Accredited calibration of DT probe in 2 points  
**Part no: 800s010** - Factory calibration of DT probe in 2 points

### Nilotech ApS

Knudstrupvej 14 - DK-4270 Hoeng, Denmark  
+45 35 95 32 96 - contact@nilotech.eu - www.nilotech.eu

#### Document

121d001\_03/2026