

Available as dual sensor probe

DT123 / DT124

Digital Dish-Temperature Probe

The DT123 Digital Dish-Temperature Probe is a state-of-the-art instrument designed for precision and ease of use in laboratory settings. Its 200 mm flat flexible wire and small sensor allow for accurate temperature measurements in narrow spaces without significant disturbing to the environment. This sensor is particularly suited for applications where maintaining the correct temperature is vital for cell viability such as inside dishes.

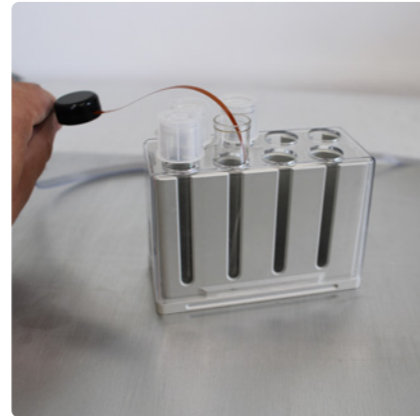
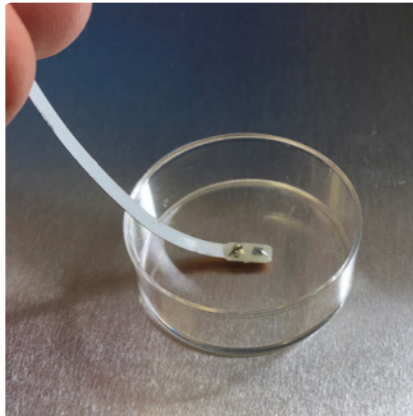
This probe is available both as single and dual sensor head.

Application & Technology

Dedicated temperature sensor for dishes and tubes

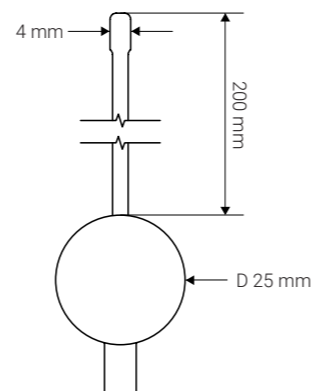
DT123 is ideal for controlling and calibrating heated stages and other sensitive heating devices. The probe can be placed on any surface, such as metal, glass, plastic etc.

We have made it possible to connect 5 different probes to one NiloChecker. Controlling and calibrating your lab equipment has never been faster or easier.



Specifications

Sensor type	Digital Temperature sensor
Measure range & accuracy	-20 - 50 °C/0,03 °C accuracy possible
Display resolution and update	0,01 °C, one update per second
T90 (min:sec)	0:45
Compliance	ISO/EN61010-1 • RoHS • CE with NiloChecker 500
Operating conditions	Medical grade sensor - ISO 80601-2-56 and ASTM E1112
Cable length	0 - 50 °C/5 - 95% RH
Materials	1,7 m (including 0,5m flat cable)
IP Class	Flexible FR-4, Epoxy.
Calibration	Cable: TPE (Flat part), PVC (Round part)
	IP50
	Delivered with factory calibration certificate. Accuracy ± 0,1 °C
	Can be calibrated in accordance with ISO/IEC 17025
	Calibration requires adaptor. Part no: 115s001



Ordering info

- Part no: 123s001** - DT123 Digital Dish Temperature Probe - Delivered with factory calibration certificate
- Part no: 124s001** - DT124 Dual Digital Dish-Temperature Probe - Delivered with factory calibration certificate
- Part no: 800s011AC** - Accredited calibration of DT probe in 2 points
- Part no: 800s010** - Factory calibration of DT probe in 2 points

Dual temperature probe for dishes, temperature controlling devices, and tubes

The DT124 - Dual Digital Dish-Temperature Probe is particularly ideal for measuring and controlling temperature in dishes and tubes. The sensors can be placed directly on various surfaces such as metal, glass, plastic etc.

You can connect up to five probes to a NiloChecker and measure and calibrate up to ten different positions or chambers at once. This saves you time and ensures reliable performance of critical equipment in your laboratory.

