

NiloChecker 500 WiFi

One reference instrument - many applications

As a gold standard within Quality Assurance and Quality Control, The NiloChecker supports measurement of eight different modalities in the IVF laboratory: Temperature, Humidity, CO₂/O₂ Concentrations, Pressure and Flow, Air Flow and RPM – with new probes continuously being launched. The NiloChecker is available in two configurations. The standard version is a preferred all-in-one device for spot check and calibration, used by both laboratory personnel and service engineers. The monitoring version triggers alarms when defined settings exceeds thresholds. It automatically transfers data from equipment to the cloud for storage and documentation, providing a more strategic approach to overall operations of your laboratory.

Application & Technology

Online monitoring

The NiloChecker will together with the NiloCloud ensure constant monitoring of and alarms from the equipment in your lab.

Time saving

Save time on process and quality control. Perform up to 10 simultaneous measurements. For instance, check your incubator for CO₂, O₂, and temperature at the same time.

Easy as 1-2-3

A large touch screen with intuitive software guides you through the measurement. It helps you to perform measurements in accordance with international standards and equipment manufacturers.

Integrated documentation

The Add-to-table function helps you to process and organise data from many measurements.

Long battery life

Just bring the NiloChecker around. The high capacity battery ensures hours of measurement time between charging.

No need for calibration

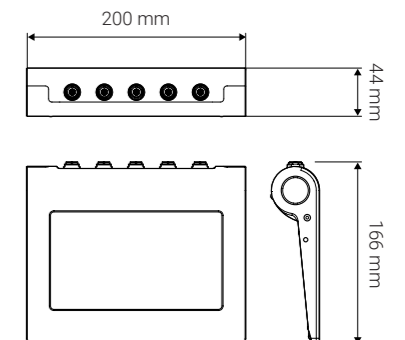
The instrument is fully digital and will never need calibration. The instrument stays in the lab and measurement probes can be controlled and calibrated separately.

Integrated functions

Graph function: Important tool to track any measurement. Instant measuring: Instrument starts to measure once a probe is connected. Timer function: Start/Stop allows to measure in a predefined time. Calculations: Max, Min, Average, Moving average, Deviation from average. Easy to collect data from multiple probes.

Specifications

Measuring range/accuracy	Depends on connected probe
Display and Touch	7" - 800 x 480 pixel - Capacitive touch - Adjustable brightness
Data storage and export	Internal memory - Export data in csv-format to PC via USB
Compliance	ISO/EN 61010:2010 • IEC 60950-1:2005/ • AMD2:2013 • CE
Operating conditions	0-50 °C - 5-95% RH, IP50
Power supply	12 V/30 W - Wall plug adaptor - 100-240 V
Connectors	5 Pcs - Stainless steel with lock and quick release
Battery time	6-8 hours, depending on use - Battery level displayed in %
Charging Time	Less than 3 hours



Ordering info

Part no: 111s001 - NiloChecker 500
Part no: 111s002 - NiloChecker 500 WiFi

Nilotech ApS

Knudstrupvej 14 - DK-4270 Hoeng, Denmark
+45 35 95 32 96 - contact@nilotech.eu - www.nilotech.eu

